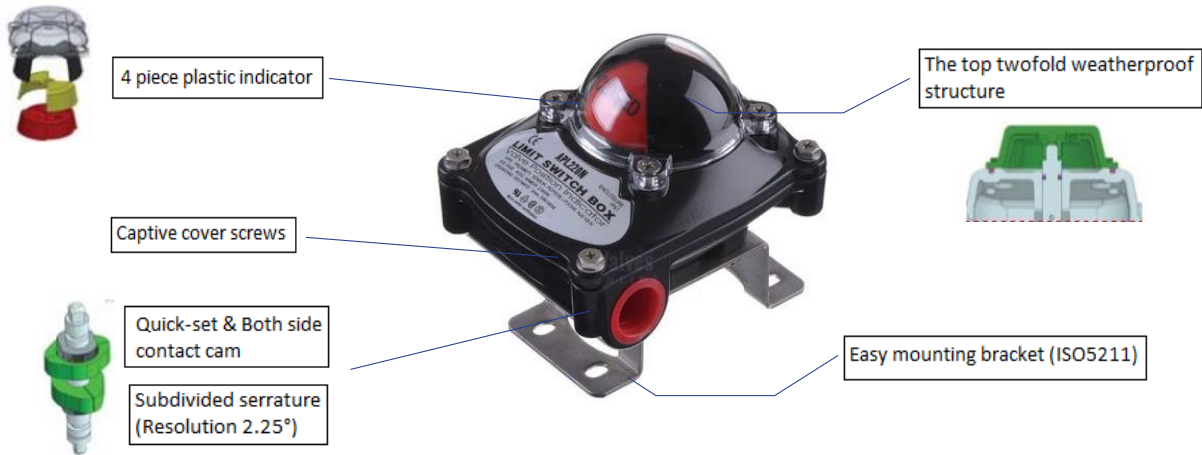




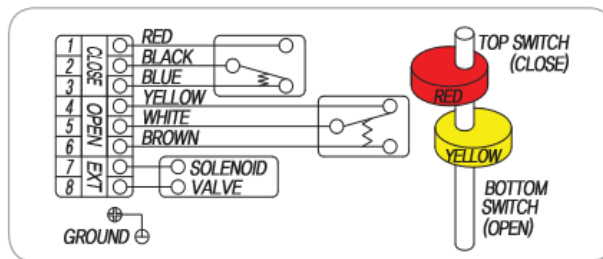
Series APL210 Mechanical Limit Switch Box



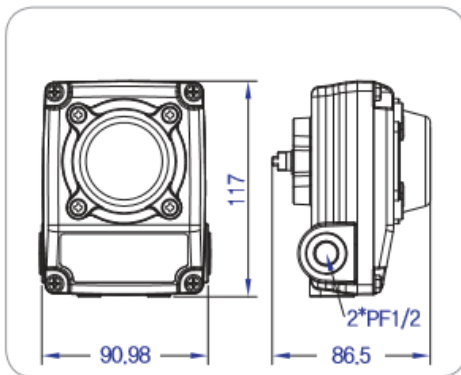
Switch specification

-CSA, RU, VDE, KC Approved	
Switch type	2*SPDT
Voltage	.AC 16A 125V or 250V
	.DC 0.6A 125V,0.3A 250V
Enclosure protection	IP67,IP68

Wiring



Dimension



GPRO Valve Sdn Bhd
7, Lot 752 Jalan Subang 3, Taman Perindustrian
SG, Penaga 47610 Subang Jaya, Selangor, MALAYSIA

Tel: +6 03 8023 6900
Email: info@gprovalve.com.my