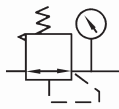




Symbol



Specifications

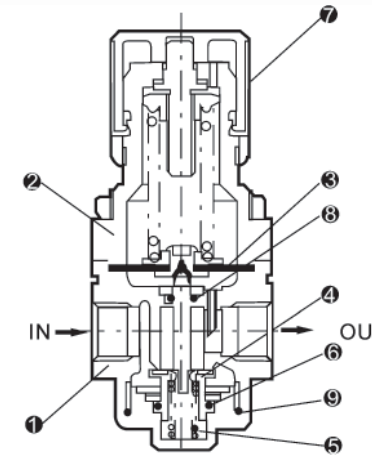
Fluid	Air
Proof pressure	1.5MPa(15kgf/cm ²)
Max. operating pressure	1.0MPa(10kgf/cm ²)
* Set pressure range	AR1000: 0.05~0.7MPa (0.5~7kgf/cm ²) AR2000~5000: 0.05~0.85MPa (0.5~8.5kgf/cm ²)
Ambient and fluid temperature	5-60°C
Regulator construction	Relieving type

* Set pressure range : 0.02~0.2MPa (0.2~2kgf/cm²)

Model	Specifications				Accessories	
	*Rated flow (L/min)	**Port size (G)	Pressure gauge port size	Weight (kg)	Bracket	Pressure gauge
AR1000-M5	100	M5	1/16	0.08	B120	G27-10-R1
AR2000-01	550	1/8	1/8	0.27	B220	G36-10-01
AR2000-02		1/4				
AR2500-02	2000	1/4	1/8	0.27	B220	G36-10-01
AR2500-03		3/8				
AR3000-02	2500	1/4	1/8	0.41	B320	G36-10-01
AR3000-03		3/8				
AR4000-03	6000	3/8	1/4	0.84	B420	G46-10-02
AR4000-04		1/2				
AR4000-06	6000	3/4	1/4	0.94	B420	G46-10-02
AR5000-06	8000	3/4	1/4	1.19		
AR5000-10		1				

*Under the circumstance that the inlet pressure is 0.7MPa (7.1kgf/cm²)and the set pressure is 0.5MPa(5.1kgf/cm²)
** Rc and NPT port sizes are available.

Construction

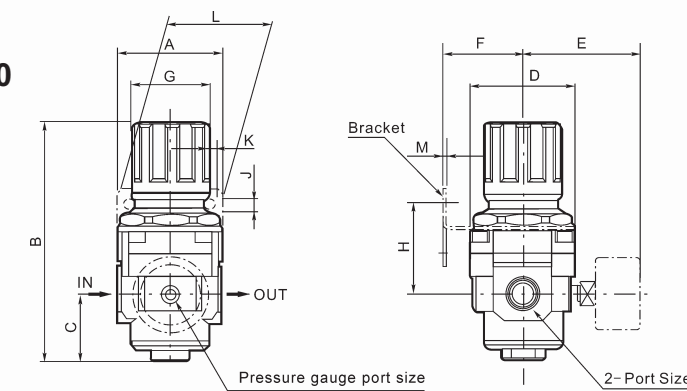


Component parts

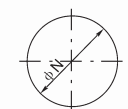
NO.	Description	Material		
		AR1000	AR2000 ~ 3000	AR4000 ~ 5000
1	Body	Zinc die-cast	Aluminum die-cast	
2	Bonnet	Reinforced nylon		Aluminum die-cast
3	Diaphragm assembly	NBR		
4	Valve assembly	Brass,NBR		
5	Spring	Stainless steel		
6	O-ring	NBR		
7	Hand wheel	Reinforced nylon		
8	O-ring	NBR		
9	O-ring	NBR		

Dimensions

AR1000~5000



Panel fitting dimensions



AR1000~3000: Max 3.5
AR4000~5000: Max 5

Model	Port size G	A	B	C	D	E	F	G	H	J	K	L	M	N
AR1000	M5	25	61.5	11	25	26	25	28	30	4.5	6.5	40	2	20.5
AR2000	1/8~1/4	40	95	17	40	56.8	30	34	44	5.4	15.4	55	2.3	33.5
AR2500	1/4~3/8	53	102.5	25	48	60.8	30	34	44	5.4	15.4	55	2.3	33.5
AR3000	1/4~3/8	53	127.5	35	53	60.8	39	40	46	6.5	8	53	2.3	42.5
AR4000	3/8~1/2	70	149.5	37.5	70	65.5	49.2	54	54	8.5	10.5	70	2.3	52.5
AR4000-06	3/4	75	154	40.5	70	69.5	49.2	54	55.5	8.5	10.5	70	2.3	52.5
AR5000	3/4~1	90	168	48	90	75.5	49.2	54	62	8.5	10.5	70	2.3	52.5