



Series GBF1 - AT00 D Wafer Type Butterfly Valve With Double Acting Actuator



SPECIFICATION

- Wafer Type Butterfly Valve PN16
- Two-Piece-Stem pinless design
- ISO 5211 DIN3337 direct mounting pad

Design Standard : BS EN593 / API 609
 Face to Face : BS EN558-1 / API 609
 Flange Connection : EN1092-1 PN10/16 JIS B2210 10K
 : DIN 2501 PN10/16 ANSI B16 125/150
 Test Standard : BS EN 12266-1 / API 598
 Pressure Rating : 16 bar
 Working Temp. : NBR -10 to +80 °C

APPLICATIONS

- Suitable for Hot / Cold Water, Oil, Gas & Air

BUTTERFLY VALVE MATERIAL LIST

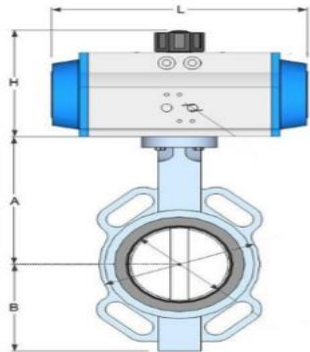
NO.	PART NAME	MATERIAL
1	Body	Cast Iron
2	Disc	CF8
3	Stem	SS420
4	Seat	NBR
5	Lock Pin	AISI1066
6	Lower O-ring	NBR
7	Bushing	PTFE
8	O-ring	NBR
9	Bushing	PTFE

PNEUMATIC ACTUATOR

- High performance Rack & Pinion design
- Aesthetically compact and modern design
- 17 different model sizes from P32 to P350
- Standard working temperature -20 to +80 °C
- Adjustable closing angle -5 °C to +5 °C
- ISO 5211 and NAMUR mounting standards
- Recommended Air supply 6 bar, lubrication not required

PNEUMATIC ACTUATOR MATERIAL

Body : Anodized aluminum ASTM6063, UNI4522
 End Caps : Die-cast aluminum, epoxy coated
 Pistons : Die-cast aluminum UNI 5076
 Pinion : Carbon steel, options for stainless steel
 Bearing Pad : Technopolymer
 Seals : NBR, options for Viton or Silicon



DIMENSIONS (mm)

Size	Inch	1-1/2	2	2-1/2	3	4	5	6	8	10	12
	DN	40	50	65	80	100	125	150	200	250	300
Valve Torque (Nm)	PN16	16	20	25	34	57	87	140	266	404	657
	A	138	161	175	181	200	215	226	260	292	337
	B	75	80	89	95	114	127	139	175	203	242
Double Acting Actuator	Art No.	AT50D		AT63D		AT75D	AT88D	AT100D	AT115D	AT145D	AT160D
	H	93	93	111	111	128	141	153	180	214	236
	L	146	146	163	163	214	252	270	316	418	450



GPRO Valve Sdn Bhd
 7, Lot 752 Jalan Subang 3, Taman Perindustrian
 SG, Penaga 47610 Subang Jaya, Selangor, MALAYSIA

Tel: +6 03 8023 6900
 Email: info@gprovalve.com.my