



## Series GBFU - AT00 D

### GPRO Cast Iron Body Stainless Steel 316 Disc PTFE Seat Butterfly Valve With Double Acting Ac



#### SPECIFICATION:

- Wafer Type Butterfly Valve PN16
- One-Piece-Stem pinless design
- ISO 5211 DIN3337 direct mounting pad

Design Standard : BS EN593 / API 609

Face to Face : BS EN558-1 / API 609

Flange Connection :

:EN1092-1 PN10/16 JIS B2210 10K

:DIN 2501 PN10/16 ANSI B16 125/150

Test Standard : BS EN 12266-1 / API 598

Pressure Rating : 16 bar up to DN300

Working Temperature : PTFE -15 to + 180°C

#### APPLICATION :

- Suitable for Hot / Cold Water, Oil, Gas & Air

#### PNEUMATIC ACTUATOR :

- High performance Rack & Pinion design
- Aesthetically compact and modern design
- 17 different model sizes from P32 to P350
- Standard working temperature -20 to 80°C
- Adjustable closing angle -5°C to +5°C
- ISO 5211 and NAMUR mounting standards
- Recommended Air supply 6 bar, lubrication not req

#### PNEUMATIC ACTUATOR MATERIAL :

Body : Anodized aluminum ASTM6063, UNI4522

End Cap : Die-cast aluminum, epoxy coated

Pistons : Die-cast aluminum UNI 5076

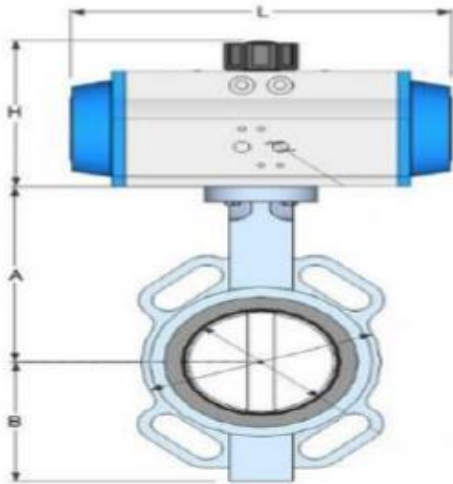
Pinion : Carbon steel, options for stainless steel

Bearing Pad : Technopolymer

Seals : NBR, options for Viton or Silicon

#### MATERIAL LIST

NO	PART NAME	MATERIAL
1	Body	Cast Iron
2	Disc	CF8M
3	Stem	SS420
4	Seat	PTFE
5	Lock Pin	AISI1066
6	Lower O-ring	EPDM
7	Bushing	PTFE
8	O-ring	EPDM
9	Bushing	PTFE



Size	Inch	1-1/2"	2"	2-1/2"	3"	4"	5"	6"	8"	10"
	DN	40	50	65	80	100	125	150	200	250
Valve Torque (Nm)	PN16	16	20	25	34	57	87	140	266	404
	A	138	161	175	181	200	215	226	260	292
	B	75	80	89	95	114	127	139	175	203
Double Acting Actuator	Art No.	AT63D		AT75D		AT88D	AT100D	AT115D	AT125D	AT160D
	H	93	93	111	111	128.0	141	153	180	214
	L	146	146	163	163	214	252	270	316	418





tuator

uired

12"
300
657
337
242
AT210D
235
450

---

/

