



Series GBFU - GBF2GB

GPRO Cast Iron Body Stainless Steel 316 Butterfly Valve With Gearbox



SPECIFICATION:

- Wafer Type Butterfly Valve PN16
- One-Piece-Stem pinless design
- ISO 5211 DIN3337 direct mounting pad

Design Standard : BS EN593 / API 609

Face to Face : BS EN558-1 / API 609

Flange Connection :

:EN1092-1 PN10/16 JIS B2210 10K

:DIN 2501 PN10/16 ANSI B16 125/150

Test Standard : BS EN 12266-1 / API 598

Pressure Rating : 16 bar up to DN300

Working Temperature : PTFE -15 to + 180°C

APPLICATION :

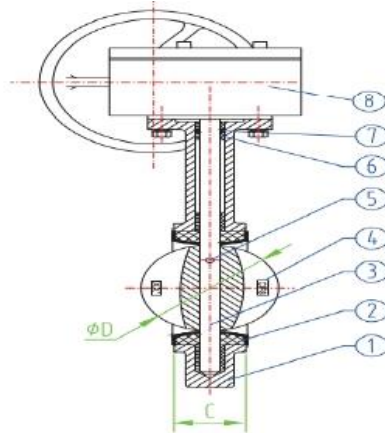
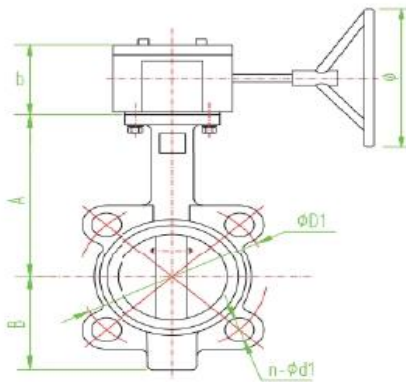
- Suitable for Hot / Cold Water, Oil, Gas & Air

MATERIAL LIST

NO	PART NAME	MATERIAL
1	Body	Cast Iron
2	Disc	CF8M
3	Stem	SS420
4	Seat	PTFE
5	Lock Pin	AISI1066
6	Lower O-ring	EPDM
7	Bushing	PTFE
8	O-ring	EPDM
9	Bushing	PTFE

GEARBOX MATERIAL LIST

NO	PART NAME	MATERIAL
1	Body	Cast Iron
2	Seat	EPDM
3	Shaft	SS420
4	Disc	CF8
5	Pin	SS304
6	Bushing	PTFE
7	O-ring	EPDM
8	Wormgear	Components



Size	Inch	2"	2-1/2"	3"	4"	5"	6"	8"	10"	12"
	DN	50	65	80	100	125	150	200	250	300
A		127.0	138.3	146.3	162.5	177.9	194.6	240.6	263.8	301.7
B		64.5	76.2	92.0	106.5	118.5	133.4	167.4	204.2	240.3
C		42.0	44.7	45.2	52.1	54.4	55.8	60.6	65.6	76.9
D		52.6	64.5	78.8	104.0	123.3	155.6	202.5	250.5	301.6
b		54	54	54	54	54	54	71	71	71
ø		160	160	160	160	160	160	270	270	270
PN16	øD1	125	145	160	180	210	240	295	355	410
	n-ød1	4-19	4-19	8-19	8-19	8-19	8-23	12-23	12-28	12-28



5 Disc PTFE