



Series GBFU - 000

GPRO Cast Iron body Stainless Steel 316 disc
PTFE seat wafer Butterfly Valve with Aluminium Lever



SPECIFICATION:

- Wafer Type Butterfly Valve PN16
- One-Piece-Stem pinless design
- ISO 5211 DIN3337 direct mounting pad

Design Standard : BS EN593 / API 609

Face to Face : BS EN558-1 / API 609

Flange Connection :

:EN1092-1 PN10/16 JIS B2210 10K

:DIN 2501 PN10/16 ANSI B16 125/150

Test Standard : BS EN 12266-1 / API 598

Pressure Rating : 16 bar up to DN300

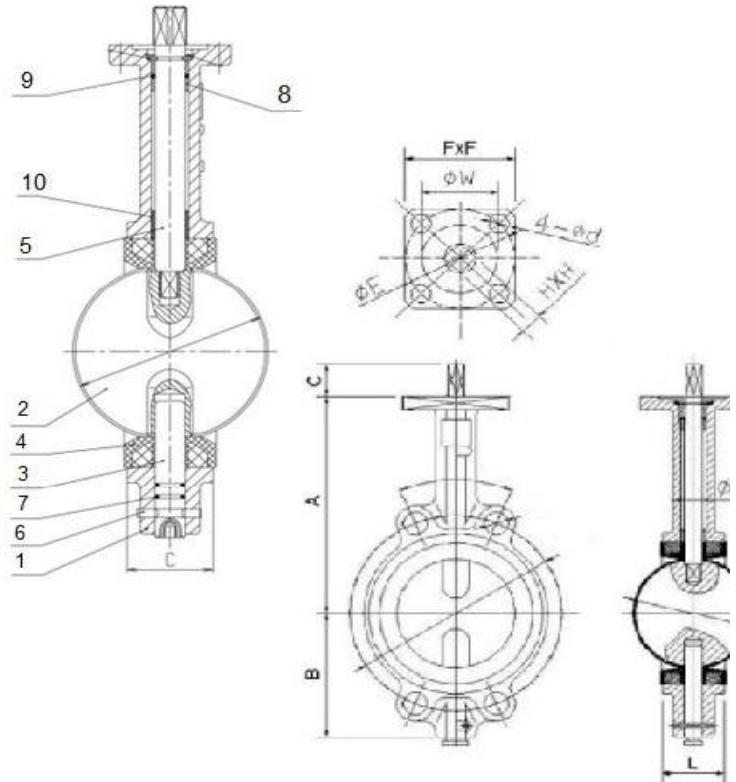
Working Temperature : PTFE -15 to + 180°C

APPLICATIONS :

- Suitable for Hot / Cold Water, Oil, Gas & Air

MATERIAL LIST

	PART NAME	MATERIAL
1	Body	Cast Iron
2	Disc	CF8M
3	Lower Stem	SS410
4	Seat	PTFE
5	Upper Stem	SS410
6	Lock Pin	AISI1066
7	Lower O-ring	EPDM
8	Bushing	PTFE
9	O-ring	EPDM
10	Bushing	PTFE



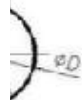
Size	Inch	1-1/2"	2"	2-1/2"	3"	4"	5"	6"	8"	10"
	DN	40	50	65	80	100	125	150	200	250
L		33	43	46	46	52	56	56	60	68
A		138	161	175	181	200	215	226	260	292
B		75	80	89	95	114	127	139	175	203
C		25	25	25	25	25	35	35	35	35
ø D		42.6	52.6	64.3	78.8	104.0	123.3	155.7	202.6	250.4
ø D1		12.60	12.60	12.60	15.77	15.77	18.92	18.92	22.10	28.45
TOP FLANGE	FxF	50	50	50	50	70	70	70	70	102
	W	35	35	35	35	55	55	55	55	70
	ø d	7	7	7	7	10	10	10	10	12
	HxH	9x9	9x9	9x9	11x11	11x11	14x14	14x14	17x17	22x22
	ø E	50	50	50	50	70	70	70	70	102
ISO		F05	F05	F05	F05	F07	F07	F07	F07	F10
Weight (kg)										



er

22

D1



12"
300
78
337
242
25
301.5
31.60
102
70
12
22x22
102
F10

/