



Series DSR300

Explosion-Proof Limit Switch Box



Cover: Die Casting Aluminium Alloy, customized color

Explosion-proof Class: CT6

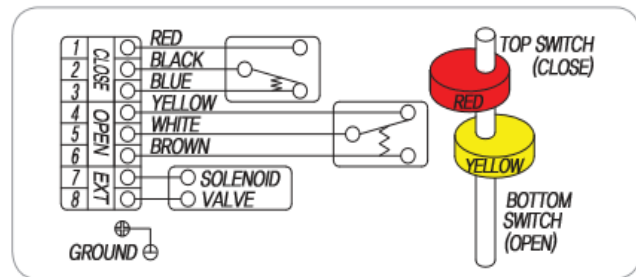
Shaft: Namur Standard

Cable: G 1/2, NPT 1/2, M20*15

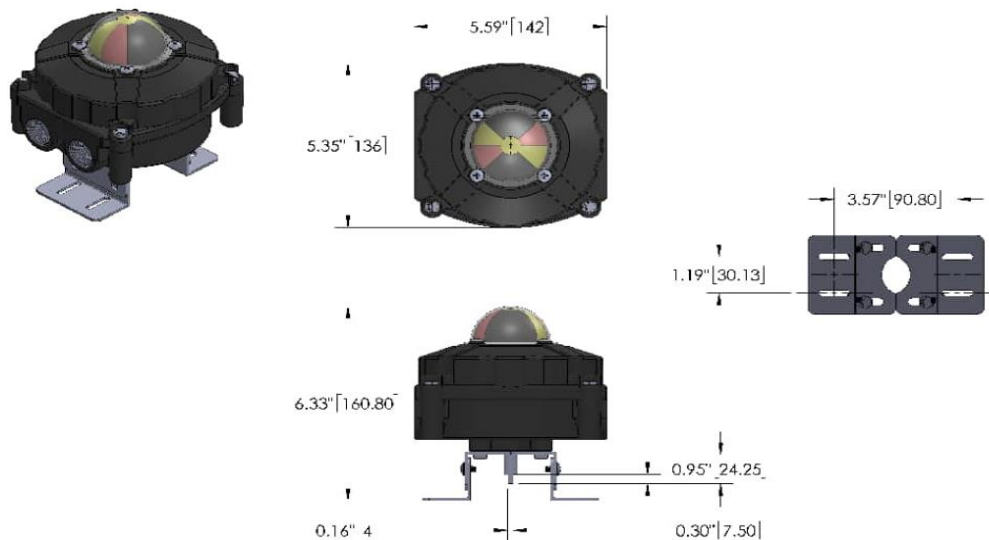
Switch specification

-CSA, RU, VDE, KC Approved	
Switch type	2*SPDT Honeywell
Voltage	AC 16A 125V or 250V
	DC 0.6A 125V, 0.3A 250V
Enclosure protection	Explosion-proof CT6

Wiring



Dimension



GPRO Valve Sdn Bhd
 7, Lot 752 Jalan Subang 3, Taman Perindustrian
 SG, Penaga 47610 Subang Jaya, Selangor, MALAYSIA

Tel: +6 03 8023 6900
 Email: info@gprovalve.com.my