

**Symbol**



**Specifications**

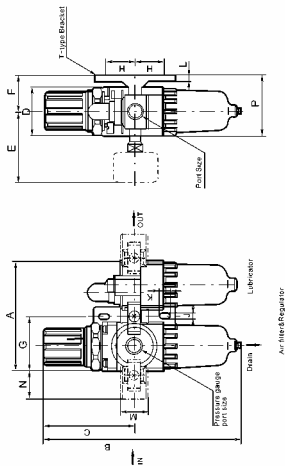
Fluid	Air
Proof pressure	1.5MPa (15kgf/cm <sup>2</sup> )
Max. operating pressure	1.0MPa (10kgf/cm <sup>2</sup> )
Ambient and fluid temperature	5~60°C
Nominal filtration rating	5 μm 25 μm 50 μm
Recommended lubricant	Class 1 turbine oil (ISO VG32)
Bowl material	PC K1300
Bowl guard	AC1010~2010 (Not Available) AC3010~5010 (Available)
Set pressure range	AC1010:0.05~0.7MPa (0.5~7kgf/cm <sup>2</sup> ) AC2010~5010:0.05~0.85MPa (0.5~8.5kgf/cm <sup>2</sup> )
Regulator construction	Relieving type

Model	Specifications				Accessories		
	Component Filter & Regulator	Lubricator	*Rated Flow (L/min)	**Port Size (G)	Pressure gauge port size	Weight (kg)	Bracket
AC1010-M5	AW1000	AL1000	90	M5	1/16	0.22	Y10T
AC2010-01	AW2000	AL2000	500	1/8	1/8	0.66	Y20T
AC2010-02	AW3000	AL3000	1700	1/4	1/8	0.98	Y30T
AC3010-02	AW4000	AL4000	3000	3/8	1/4	1.93	Y40T
AC4010-02	AW5000	AL5000	4000	1/2	1/4	3.20	Y50T
AC5010-02				3/4	1/4		Y60T
AC5010-06				1	1/4		

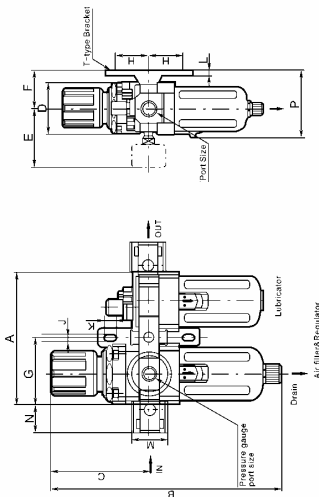
\*Under the circumstance that the inlet pressure is 0.7MPa (7.1kgf/cm<sup>2</sup>) and the set pressure is 0.5MPa (5.1kgf/cm<sup>2</sup>)  
\*\* PC and NPT Port sizes are available.

**Dimensions**

**AC1010~2010**



**AC3010~5010**



Model	Port Size	A	B	C	D	E	F	G	H	I	J	K	L	M	N	P
AC1010	M5	58	109.5	50.5	25	26	25	29	20	20	4.5	7.5	5	17.5	16	38.5
AC2010	1/8-1/4	90	164.5	78	40	56.8	30	45	24	24	5.5	8.5	5	22	23	50
AC3010	1/4-3/8	117	211	92.5	53	60.8	41	58.5	35	35	7	11	7	34.2	26	70.5
AC4010	3/8-1/2	154	262	112	70	70.5	50	77	40	40	9	13	7	42.2	33	88
AC4010-06	3/4	164	267	114	70	70.5	50	82	40	40	9	13	7	46.2	36	88
AC5010	3/4-1	195	338	116	90	75.5	69.8	97.5	50	50	12	16	10.5	55.2	40	115