



Symbol



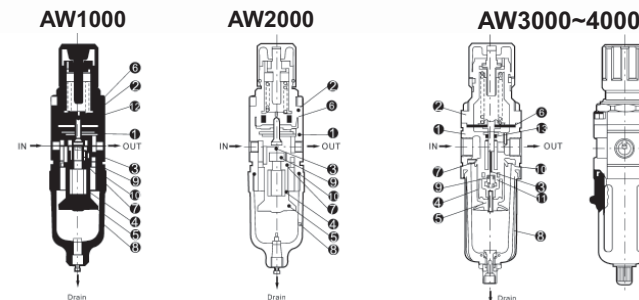
Specifications

| | |
|-------------------------------|---|
| Fluid | Air |
| Proof pressure | 1.5MPa (15kgf/cm ²) |
| Max. operating pressure | 1.0MPa (10kgf/cm ²) |
| Ambient and fluid temperature | 5~60°C |
| Nominal filtration rating | 5 μm 25 μm 50 μm |
| Bowl material | Polycarbonate |
| Bowl guard | AW1000~2000 (Not Available) AW3000~5000 (Available) |
| Set pressure range | AW1000: 0.05~0.7MPa (0.5~7kgf/cm ²) AW2000~5000: 0.05~0.85MPa(0.5~8.5kgf/cm ²) |
| Regulator construction | Relieving type |

| Model | Specifications | | | | Accessories | | Drain function | Model of AW series with auto drain |
|-----------|---------------------|-----------------|--------------------------|-------------|-------------|----------------|----------------|------------------------------------|
| | *Rated flow (L/min) | **Port size (G) | Pressure gauge port size | Weight (kg) | Bracket | Pressure gauge | | |
| AW1000-M5 | 100 | M5 | 1/16 | 0.09 | B120 | G27-10-R1 | Manual drain | - |
| AW2000-01 | 550 | 1/8 | 1/8 | 0.36 | B220 | G36-10-01 | | AW2000-01D |
| AW2000-02 | | 1/4 | | | | | AW2000-02D | |
| AW3000-02 | 2000 | 1/4 | 1/8 | 0.56 | B320 | G36-10-01 | AW3000-02D | |
| AW3000-03 | | 3/8 | | | | | AW3000-03D | |
| AW4000-03 | 4000 | 3/8 | 1/4 | 1.15 | B420 | G46-10-02 | AW4000-03D | |
| AW4000-04 | | 1/2 | | | | | AW4000-04D | |
| AW4000-06 | 4500 | 3/4 | 1/4 | 1.21 | B420 | G46-10-02 | AW4000-06D | |
| AW5000-06 | 5500 | 3/4 | 1/4 | 1.70 | | | AW5000-06D | |
| AW5000-10 | | 1 | | | | | AW5000-10D | |

*Under the circumstance that the inlet is 0.7MPa(7.1kgf/cm²) and the set pressure is 0.5MPa(5.1kgf/cm²)
**Rc.and NPT port sizes are available.

Construction



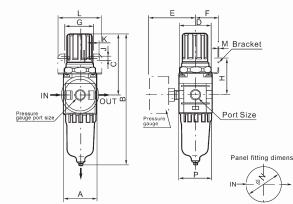
Component parts

| NO. | Description | Material | | NO. | Description | Material | | |
|-----|--------------------|------------------|-------------------|-----|----------------------------|-----------------------------------|--------|--------|
| | | AW1000 | AW2000 | | | AW4000 | AW1000 | AW2000 |
| 1 | Body | Zinc die-cast | Aluminum die-cast | 8 | Bowl assembly (Bowl guard) | Polycarbonate (Cold rolled steel) | | |
| 2 | Bonnet | Reinforced nylon | | 9 | Spring | Stainless steel | | |
| 3 | Valve assembly | Brass,NBR | | 10 | O-ring | NBR | | |
| 4 | Filter element | Brass | | 11 | O-ring | NBR | | |
| 5 | Baffle | POM | | 12 | Hand wheel | Nylon | | |
| 6 | Diaphragm assembly | NBR | | 13 | O-ring | NBR | | |
| 7 | Whirlwind blade | POM | | | | | | |

Dimensions

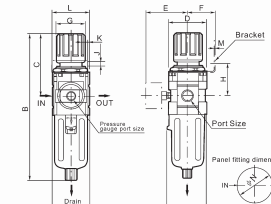
AW1000-2000

AW1000: Max. 3.5
AW2000: Max. 5



AW3000-5000

AW3000: Max. 3.5
AW4000~5000: Max. 5



| Model | Port size (G) | A | B | C | D | E | F | G | H | J | K | L | M | N | P |
|-----------|---------------|----|-------|------|----|------|------|----|------|-----|------|----|-----|------|----|
| AW1000 | M5 | 25 | 109.5 | 50.5 | 25 | 26 | 25 | 28 | 30 | 4.5 | 6.5 | 40 | 2 | 20.5 | 28 |
| AW2000 | 1/8~1/4 | 40 | 164.5 | 78 | 40 | 56.8 | 30 | 34 | 43.5 | 5.4 | 15.4 | 55 | 2.3 | 33.5 | 40 |
| AW3000 | 1/4~3/8 | 53 | 211 | 92.5 | 53 | 60.8 | 39 | 40 | 46 | 6.5 | 8 | 53 | 2.3 | 42.5 | 56 |
| AW4000 | 3/8~1/2 | 70 | 262 | 112 | 70 | 70.5 | 49.2 | 54 | 53.5 | 8.5 | 10.5 | 70 | 2.3 | 52.5 | 73 |
| AW4000-06 | 3/4 | 75 | 267 | 114 | 70 | 70.5 | 49.2 | 54 | 55.5 | 8.5 | 10.5 | 70 | 2.3 | 52.5 | 73 |
| AW5000 | 3/4~1 | 90 | 338 | 116 | 90 | 75.5 | 49.2 | 54 | 62 | 8.5 | 10.5 | 70 | 2.3 | 52.5 | 90 |

