

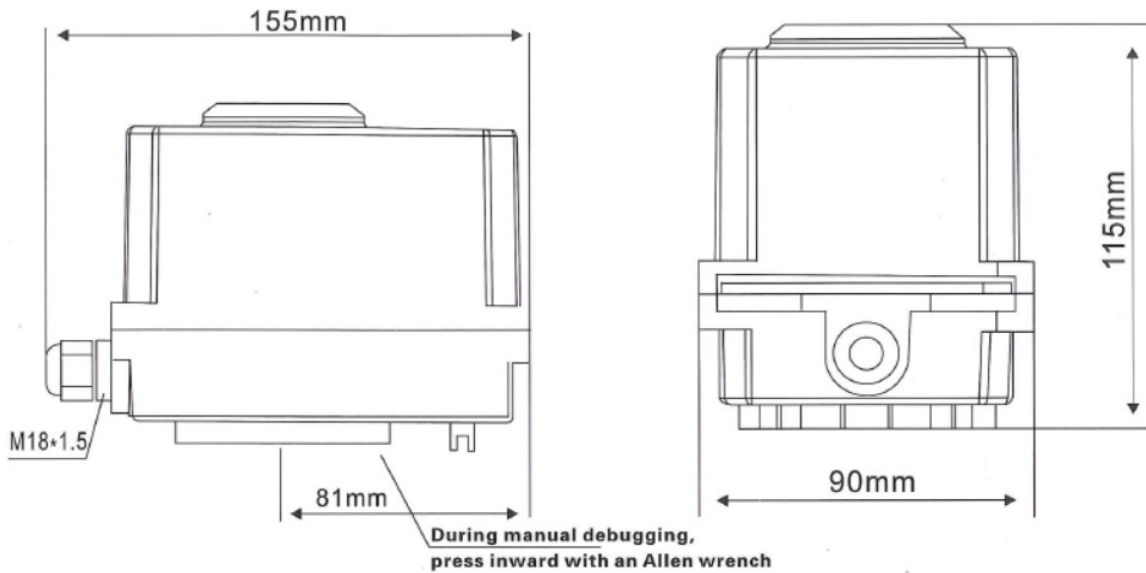


GPRO Electric Actuator

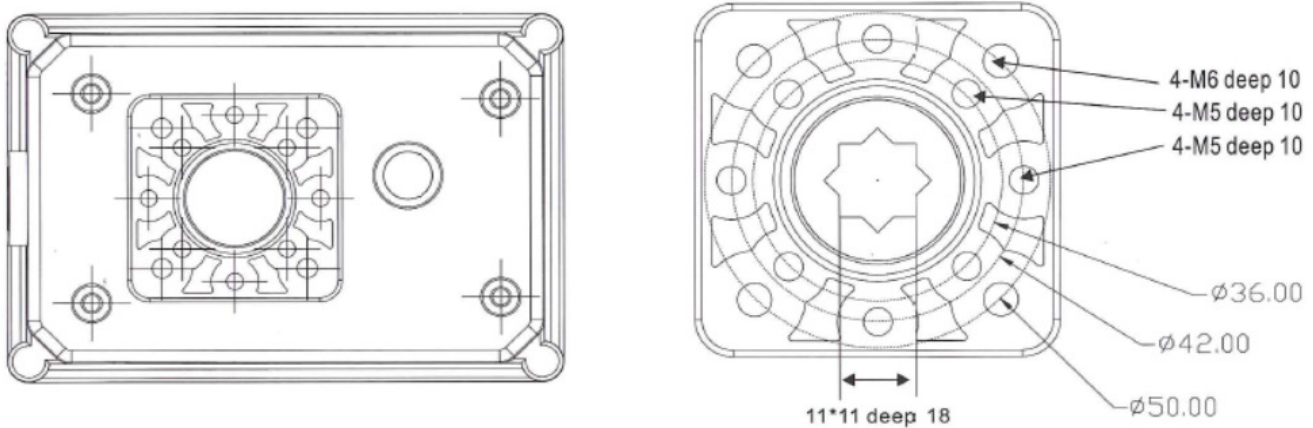
GVA03P

Operation Manual

1 External Dimension

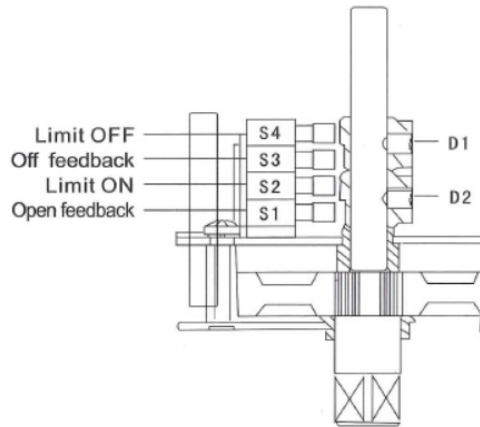
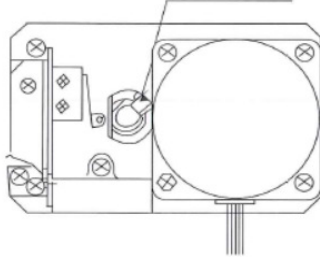


2 Installation Dimension



3 Actuator Debugging

Loosen nuts during commissioning



Commissioning Diagram (right is the enlarged commissioning diagram)

Adjustment of Limit Switches

- i. Use the handle to drive the valve to the fully open position, loosen the nut for one turn, turn the D2 yellow limit block anti-clockwise to make it just to the switch limit, and after hearing "dada" twice, the opening is complete
- ii. Use the handle to drive the valve to the fully close position, turn the D1 red limit block clockwise to make it just touch the switch limit, hear "dada" twice and then complete the locking nut

4 Electrical Parameters and Wiring Diagram

Power supply voltage : AC220V/50Hz and DC24V

Rated power : AC20W / DC2W

Rated current : AC0.2A / DC0.15A

Protection grade : IP67

Output Torque : 30Nm

Operating Time : 10sec

Rotation Angle : 0-90°

