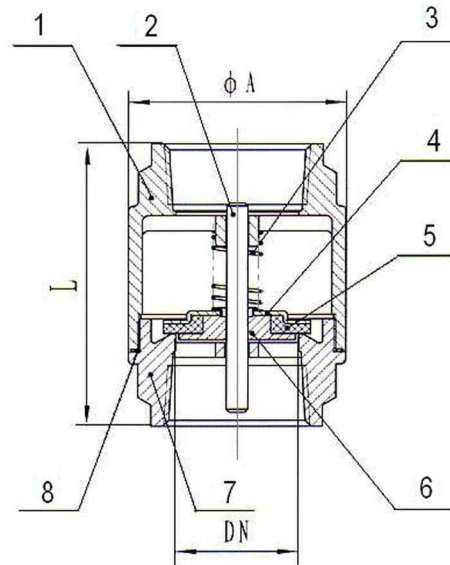




STAINLESS STEEL SPRING VERTICAL CHECK VALVE SCREWED END



Technical Data

Dimension in mm

SIZES		ϕA	L	WT. (KG)
DN	in.			
15	1/2	35	62	0.2
20	3/4	40	70	0.3
25	1	46	84	0.5
32	1.1/4	55	92	0.7
40	1.1/2	69	107	1.2
50	2	80	121	1.6

Material

No.	PART	MATERIAL
1	BODY	CF8
2	STEM	SUS 304
3	SPRING	SUS 304
4	PLATE	SUS 304
5	PACKING	NBR/VITON
6	DISC	SUS 304
7	BODY CAP	CF8
8	BODY PACKING	PTFE

Features

- * Working Pressure : 1000 PSI
- * Working Temperature : < 120° C
- * Suitable Medium : Water, Oil, Gas, etc.
- * PN 40
- * Investment Casting Body
- * Pipe thread in accordance : BSPT
- * Screwed End
- * Material : SUS304 / ASTM A351Gr-CF8 / DIN 1.4308