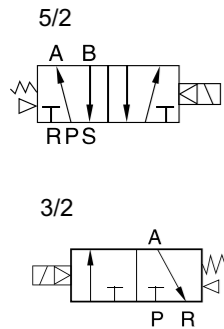


4M310/20 Series

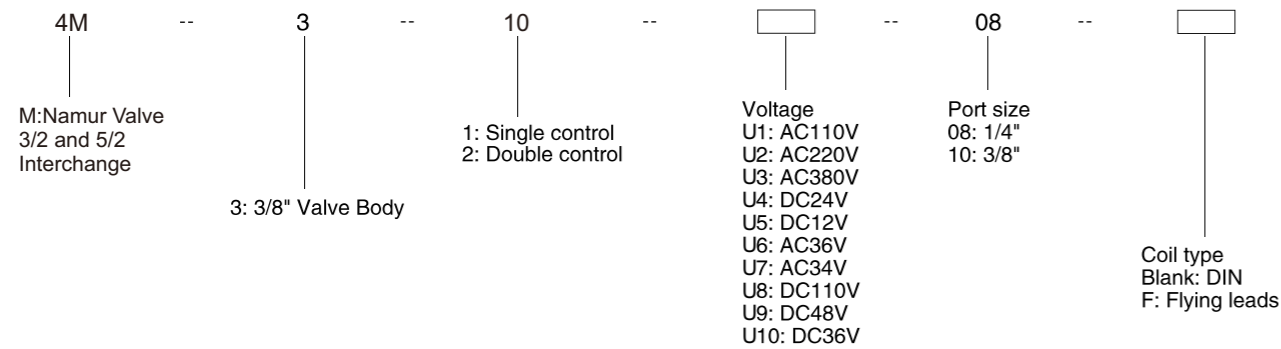
4M310/20 Series



Connector

* ISO Standard, Europe style

How to Order?



Product Features

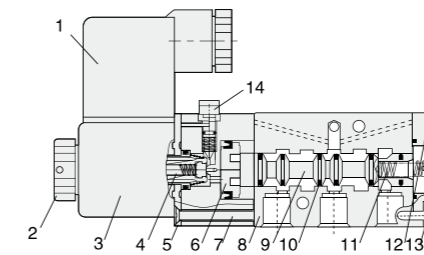
- * Stable life cycle, guaranteed 12,000,000 times.
- * Various voltage and working style are available.
- * Different surface treatment, thread types (BSPP, BSPT, NPT) are available.
- * 5/2-3/2 way interchangeable (optional)

Specifications

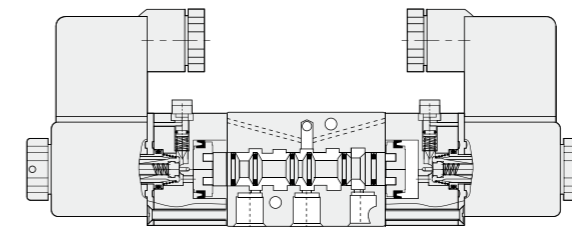
Model No.	4M310-08	4M320-08	4M310-10	4M320-10
Working medium	Clean air (After 25 μm filtration)			
Acting type	Pilot type			
Sectional area (mm ²)	25 (CV=1.4)		30 (CV=1.68)	
Port size	IN=EXHAUST=G1/4"		IN=G3/8" EXHAUST=G1/4"	
Lubrication	Not required			
Working pressure (Bar)	1.5-8			
Guaranteed pressure (Bar)	12			
Working temperature (°C)	-5-60			
Voltage range	-15% ~ 10%			
Power consumption	AC: 5.5VA DC: 4.8W			
Insulation	class F			
Protective class	IP65 (DIN40050)			
Max acting frequency	4 cycles/s			
Activate time (s)	<0.05			
Weight (g)	320	430	320	430

Internal structure

4M310

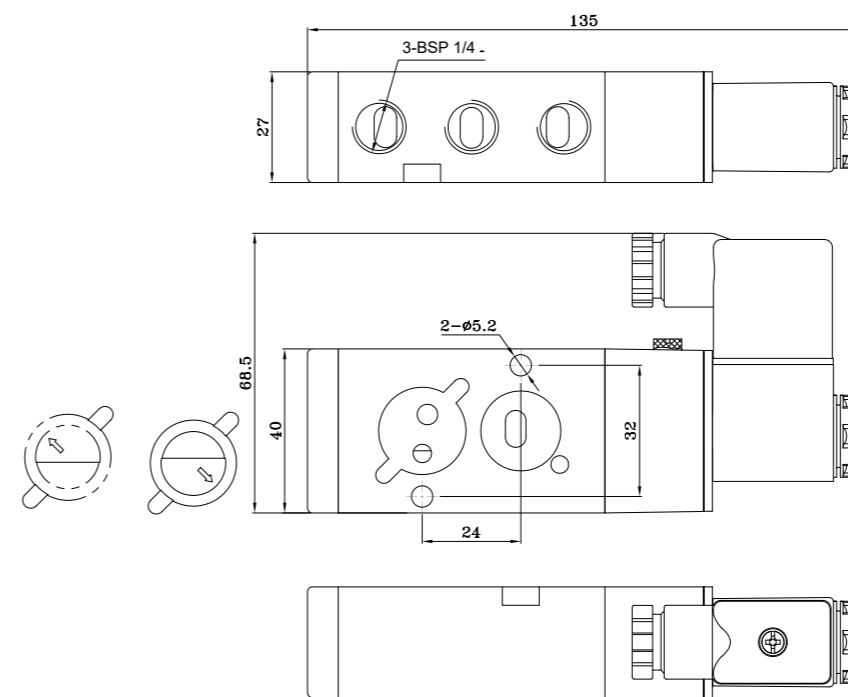


4M320



No	Designation
1	Connector
2	Nut
3	Coil
4	Pilot units
5	Plate
6	Piston
7	Screw
8	Valve body
9	Spool
10	O-ring
11	Spring
12	Rear cover
13	Screw
14	Manual override

Main Dimension (mm)



Flow Chart

