



Series GBV300/301 - Stainless Steel 3-pc Body Full Ball Valve



SPECIFICATION

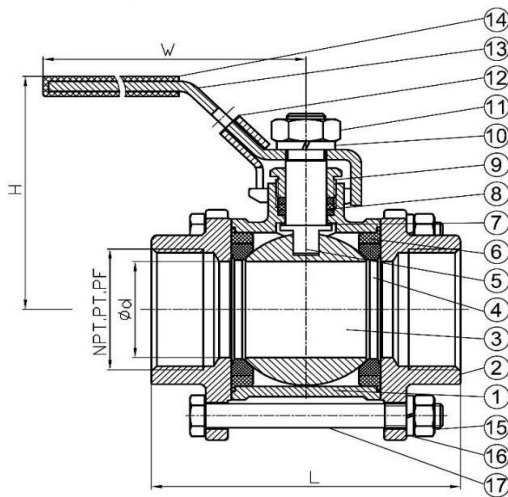
- Three-Piece-Body Full Bore
- Handle with Locking Device as standard
- Standard Valve Seat R-PTFE
- End Connection: Threaded End BSPT
Options for NPT, BSPP (G)
- Working 1/4 ~ 4" 1000 PSI W.O.G

APPLICATIONS

- Suitable for Water, Oil, Gas, Air & Steam
- Working Temperature up to 180° C

MATERIAL LIST

NO.	PART NAME	MATERIAL	
		GBV300	GBV301
1	Body	CF8	CF8M
2	Cap	CF8	CF8M
3	Ball	SS304	SS316
4	Seat	R-PTFE	R-PTFE
5	Stem	SS304	SS316
6	Gasket	PTFE	PTFE
7	Thrust Washer	PTFE	PTFE
8	Packing	PTFE	PTFE
9	Gland	SS304	SS304
10	Spring Washer	SS304	SS304
11	Stem Nut	SS304	SS304
12	Locking Device	SS304	SS304
13	Handle	SS304	SS304
14	Handle Sleeve	PLASTIC	PLASTIC



DIMENSIONS (mm)

Size (inch)	1/4	3/8	1/2	3/4	1	1-1/4	1-1/2	2	2-1/2	3	4
DN	8	10	15	20	25	32	40	50	65	80	100
d	11	11.5	15	19.5	25	32	38	49	64	77	99
L	65	65	75	80	90	110	120	140	16	180	215
H	48.5	48.5	54	65.5	72	81	96	105	120	134.5	167
W	95	95	105	120	140	150	170	185	220	270	330
Weight (kg)	0.39	0.37	0.51	0.65	0.87	1.60	1.94	2.97	5.55	7.59	12.45



GPRO Valve Sdn Bhd
7, Lot 752 Jalan Subang 3, Taman Perindustrian
SG, Penaga 47610 Subang Jaya, Selangor, MALAYSIA

Tel: +6 03 8023 6900
Email: info@gprovalve.com.my