



## Series GBV330-00T/L - AT00

### GPRO 3-Way Ball Valve With Double Acting Actuator



#### PRODUCT DESCRIPTION :

Investment Casting Body  
Blow-Out Proof Stem  
Reduce Port  
L Port or T Port Upon Request  
ISO 5211 Direct Mounting Pad

**Threads Types : BSPT**

Locking Device Handle Available

**Working Pressure : 1000PSI/PN63**

#### STANDARD :

**Design Acc : ASME B16.34**

**Threads Acc :**

ANSI B1.20.1

BS 21/2799

DIN 259/2999

ISO 228

**Inspection & Testing Acc : API 598**

#### PNEUMATIC ACTUATOR :

- High performance Rack & Pinion design
- Aesthetically compact and modern design
- 17 different model sizes from P32 to P350
- Standard working temperature -20 to 80°C
- Adjustable closing angle -5°C to +5°C
- ISO 5211 and NAMUR mounting standards
- Recommended Air supply 6 bar, lubrication not required

#### PNEUMATIC ACTUATOR MATERIAL :

Body : Anodized aluminum ASTM6063, UNI4522

End Cap : Die-cast aluminum, epoxy coated

Pistons : Die-cast aluminum UNI 5076

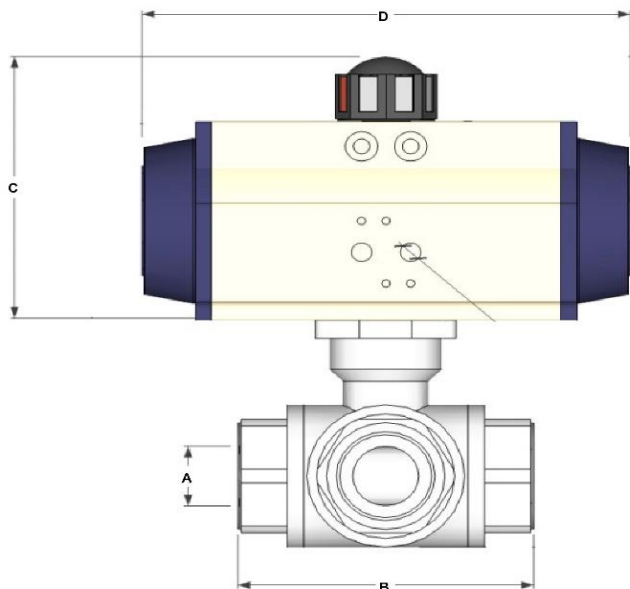
Pinion : Carbon steel, options for stainless steel

Bearing Pad : Technopolymer

Seals : NBR, options for Viton or Silicon

#### MATERIAL LIST

NO	PART NAME	MATERIAL	
1	Cap	CF8M	CF8
2	Body Gasket	PTFE	
3	Ball Seat	PTFE/RPTFE	
4	Ball	316	304
5	Body	CF8M	CF8
6	Stam	316	304
7	Thrust Washer	PTFE	
8	O-Ring	VITON	
9	Stam Packing	PTFE	
10	Gland Nut	304	
11	Belleville Washer	301	
12	Nut	304	
13	Spring Washer	304	
14	Stop Nut	304	
15	Locking Device	301	
16	Handle	304	
17	Handle Cover	Plastic	
18	Location Pin	301	



Size	Inch	1/2"	3/4"	1"	1-1/4"	1-1/2"	2"	2-1/2"	3"
	DN	15	20	25	32	40	50	65	80
A	12	15	18	25	32	38	49	65	
B	73	80	88	125	136	158	200	240	
Double Acting Actuator	Art No.	AT50D			AT63D		AT75D	AT88D	
	C	93	93	93	111	111	128	141	141
	D	146	146	146	163	163	214	252	252



**D**

red

---