



# Series GBV330-00T/L - KST-00

## GPRO 3-Way Ball Valve With Electric Actuator

### PRODUCT DESCRIPTION :

- Investment Casting Body
- Blow-Out Proof Stem
- Reduce Port
- L Port or T Port Upon Request
- ISO 5211 Direct Mounting Pad
- Threads Types :** BSPT
- Locking Device Handle Available
- Working Pressure :** 1000PSI/PN63

### MATERIAL LIST

NO	PART NAME	MATERIAL	
1	Cap	CF8M	CF8
2	Body Gasket	PTFE	
3	Ball Seat	PTFE/RPTFE	
4	Ball	316	304
5	Body	CF8M	CF8
6	Stam	316	304
7	Thrust Washer	PTFE	
8	O-Ring	VITON	
9	Stam Packing	PTFE	
10	Gland Nut	304	
11	Belleville Washer	301	
12	Nut	304	
13	Spring Washer	304	
14	Stop Nut	304	
15	Locking Device	301	
16	Handle	304	
17	Handle Cover	Plastic	
18	Location Pin	301	

### STANDARD :

- Design Acc :** ASME B16.34
- Threads Acc :**
- ANSI B1.20.1
- BS 21/2799
- DIN 259/2999
- ISO 228
- Inspection & Testing Acc :** API 598

### ELECTRIC ACTUATOR :

- Aesthetically compact and modern design
- Standard working temperature -30 to +60°C
- Adjustable closing angle -5°C to +5°C
- ISO 5211 and NAMUR mounting standards

### ELECTRIC ACTUATOR MATERIAL :

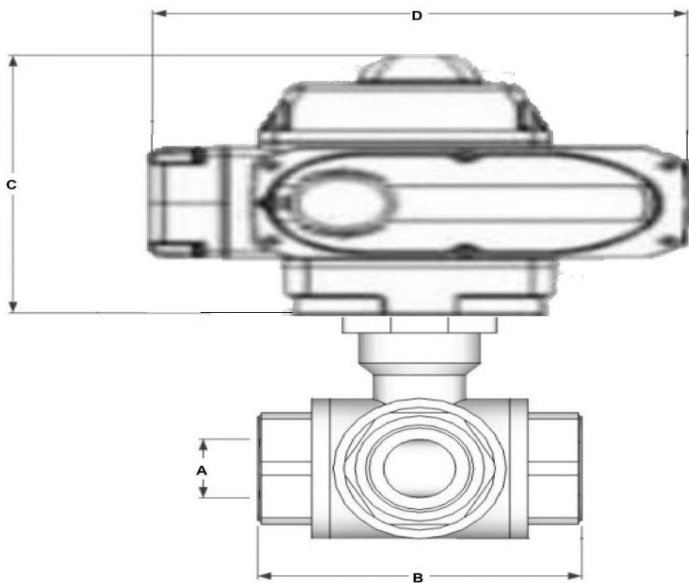
- Enclosure : Weather-proof IP67
- Main Power : 220VAC / 24VDC
- Body Material : Die-casting Aluminium Alloy

### Electrical Connection :

- M181.5 Water -proof cable connectors

### Manual Override : De-clutchable

- Circuit Control : B, S,K, R, A, D, H, T
- Space Heater : 5W for anti condensation



Size	Inch	1/2"	3/4"	1"	1-1/4"	1-1/2"	2"	2-1/2"	3"	
	DN	15	20	25	32	40	50	65	80	
	A	12	15	18	25	32	38	49	65	
	B	73	80	88	125	136	158	200	240	
Electric Actuator	Art No.	KST-05					KST-10			
	C	151	151	151	151	151	170	170	170	
	D	160	160	160	160	160	196	196	196	

