



Series GBFS - KST-00

GPRO Wafer Type Stainless Steel 304 Bolt Butterfly Valve With Electric Actuator



SPECIFICATION:

- Wafer Type Butterfly Valve PN16
- One-Piece-Stem pinless design
- ISO 5211 DIN3337 direct mounting pad

Design Standard : BS EN593 / API 609

Face to Face : BS EN558-1 / API 609

Flange Connection :

:EN1092-1 PN10/16 JIS B2210 10K

:DIN 2501 PN10/16 ANSI B16 125/150

Test Standard : BS EN 12266-1 / API 598

Pressure Rating : 16 bar

Working Temperature : PTFE -15 to + 180°C

APPLICATION :

- Suitable for Hot / Cold Water, Oil, Gas & Air

ELECTRIC ACTUATOR :

- Aesthetically compact and modern design
- Standard working temperature -30 to +60°C
- Adjustable closing angle -5°C to +5°C
- ISO 5211 and NAMUR mounting standards

ELECTRIC ACTUATOR MATERIAL :

Enclosure : Weather-proof IP67

Main Power : 220VAC / 24VDC

Body Material : Die-casting Aluminium Alloy

Electrical Connection :

: M181.5 Water -proof cable connectors

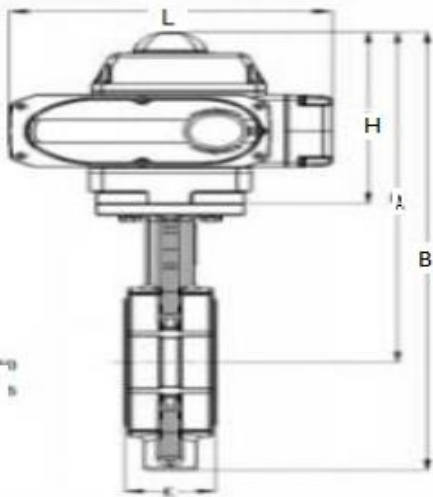
Manual Override : De-clutchable

Circuit Control : B, S, K, R, A, D, H, T

Space Heater : 5W for anti condensation

MATERIAL LIST

NO	PART NAME	MATERIAL
1	Body	CF8
2	Disc	CF8M
3	Stem	SS420
4	Seat	PTFE
5	Lock Pin	AISI1066
6	Lower O-ring	EPDM
7	Bushing	PTFE
8	O-ring	EPDM
9	Bushing	PTFE



Size	Inch	1-1/2"	2"	2-1/2"	3"	4"	5"	6"	8"	10"
	DN	40	50	65	80	100	125	150	200	250
Valve Torque (Nm)	PN16	16	20	25	34	57	87	140	266	404
	A	138	161	175	181	200	215	226	260	292
	B	75	80	89	95	114	127	139	175	203
Electric Actuator	Art No.	KST-05				KST-10		KST-20		KST-40
	H	151	151	151	151	170	170	208	208	208
	L	160	160	160	160	196	196	256	256	256





dy

12"
300
657
337
242
KST-60
208
256

/

