



Series GPVC-BV000 - KST-00 B

GPVC PVC Double Union Ball Valve With Electric Actuator



- Pressure rating : 150PSI @73.4°F(23°C)
- Standard port design
- Adjustable seat tightness
- Easy to disassemble by handle
- Less on-line down time for replacement / maintenance
- Actuator could be installed with inserted nut type
- Standard product is without inserted nut

PVC BALL VALVE MATERIAL LIST

NO.	PART NAME	MATERIAL
1	Body	UPVC
2	Stem O-Ring	EPDM,FPM
3	Stem	UPVC
4	Ball	UPVC
5	Seat	PTFE
6	Carrier O-Ring	EPDM,FPM
7	Seal Carrier	UPVC
8	Union O-Ring	EPDM,FPM
9	End Connector	UPVC
10	Union Nut	UPVC
11	Handle	ABS,PP+GF,PP
12	Inserted Nut	C3602
13	Body O-Ring	EPDM,FPM

ELECTRIC ACTUATOR

- Aesthetically compact and modern design
- Standard working temperature -30 to +60 °C
- Adjustable closing angle -5 °C to +5 °C
- ISO 5211 and NAMUR mounting standards

ELECTRIC ACTUATOR MATERIAL

Enclosure : Weather-proof IP67

Main Power : 220VAC

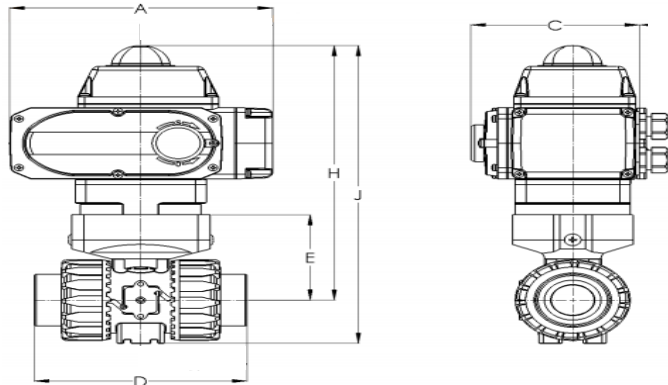
Body Material : Die-casting Aluminium Alloy

Electrical Connection : M181.5 Water-proof cable connecto

Manual Override : De-clutchable

Circuit Control : B, S, K, R, A, D, H, T

Space Heater : 5W for anti condensation



Valve Size	Inch	1/2	3/4	1	1-1/4	1-1/2	2	2-1/2	3	4
	DN	15	20	25	32	40	50	65	80	100
Electric Actuator	Art No.	KST-05B							KST-10B	
	A	165	165	165	165	165	165	165	190	190
	C	150	150	150	150	150	150	150	170	170
	D	114	135	149	168	175	208	275	304	332
	E	57.9	69.5	74	91	97.2	113.1	126.28	131.1	149
	H	194.7	249.5	254	271	277.2	293	300	247	365
	J	266.9	283.8	293	317	329.2	355	387	452	472



GPRO Valve Sdn Bhd
7, Lot 752 Jalan Subang 3, Taman Perindustrian
SG, Penaga 47610 Subang Jaya, Selangor, MALAYSIA

Tel: +6 03 8023 6900

Fax: +6 03 8023 7800

Email: info@gprovalve.com.my