



Series GPVC-BV000 - AT00 D

GPVC PVC Double Union Ball Valve With Double Acting Actuator



- Pressure rating : 150PSI @73.4°F(23°C)
- Standard port design
- Adjustable seat tightness
- Easy to disassemble by handle
- Less on-line down time for replacement / maintenance
- Actuator could be installed with inserted nut type
- Standard product is without inserted nut

PVC BALL VALVE MATERIAL LIST

NO.	PART NAME	MATERIAL
1	Body	UPVC
2	Stem O-Ring	EPDM,FPM
3	Stem	UPVC
4	Ball	UPVC
5	Seat	PTFE
6	Carrier O-Ring	EPDM,FPM
7	Seal Carrier	UPVC
8	Union O-Ring	EPDM,FPM
9	End Connector	UPVC
10	Union Nut	UPVC
11	Handle	ABS,PP+GF,PP
12	Inserted Nut	C3602
13	Body O-Ring	EPDM,FPM

PNEUMATIC ACTUATOR

- High performance Rack & Pinion design
- Aesthetically compact and modern design
- 17 different model sizes from P32 to P350
- Standard working temperature -20 to +80 °C
- Adjustable closing angle -5 °C to +5 °C
- ISO 5211 and NAMUR mounting standards
- Recommended Air supply 6 bar, lubrication not req

PNEUMATIC ACTUATOR MATERIAL

Body : Anodized aluminum ASTM6063, UNI4522

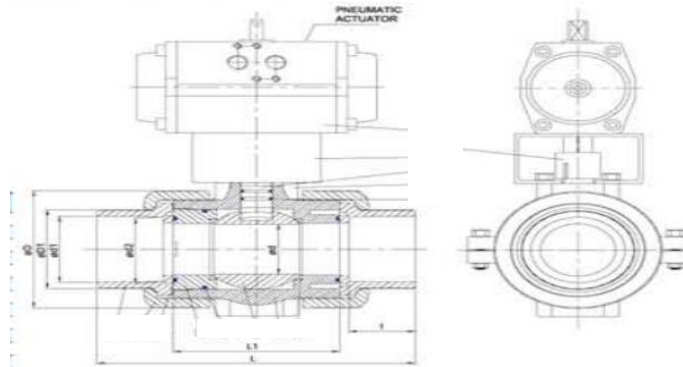
End Caps : Die-cast aluminum, epoxy coated

Pistons : Die-cast aluminum UNI 5076

Pinion : Carbon steel, options for stainless steel

Bearing Pad : Technopolymer

Seals : NBR, options for Viton or Silicon



Valve Size	Inch	1/2	3/4	1	1-1/4	1-1/2	2	2-1/2	3	4
	DN	15	20	25	32	40	50	65	80	100
Double Acting Actuator	Art No.	AT-40D				AT-50D	AT-63D	AT-75D		AT-88D
	D	47	55	66	82	98	120	140	163	225
	D1	31	37	45	54	65	79	92	108	146
	d	13	18	23	30	38	48	61	69	99
	L	114	135	149	168	175	208	273	304	332



GPRO Valve Sdn Bhd
7, Lot 752 Jalan Subang 3, Taman Perindustrian
SG, Penaga 47610 Subang Jaya, Selangor, MALAYSIA

Tel: +6 03 8023 6900
Fax: +6 03 8023 7800
Email: info@gprovalve.com.my