



Series GPVC-BV000 - AT00 S

GPVC PVC Double Union Ball Valve With Single Acting Actuator



- Pressure rating : 150PSI @73.4°F(23°C)
- Standard port design
- Adjustable seat tightness
- Easy to disassemble by handle
- Less on-line down time for replacement / maintenance
- Actuator could be installed with inserted nut type
- Standard product is without inserted nut

PVC BALL VALVE MATERIAL LIST

| NO. | PART NAME | MATERIAL |
|-----|----------------|--------------|
| 1 | Body | UPVC |
| 2 | Stem O-Ring | EPDM,FPM |
| 3 | Stem | UPVC |
| 4 | Ball | UPVC |
| 5 | Seat | PTFE |
| 6 | Carrier O-Ring | EPDM,FPM |
| 7 | Seal Carrier | UPVC |
| 8 | Union O-Ring | EPDM,FPM |
| 9 | End Connector | UPVC |
| 10 | Union Nut | UPVC |
| 11 | Handle | ABS,PP+GF,PP |
| 12 | Inserted Nut | C3602 |
| 13 | Body O-Ring | EPDM,FPM |

PNEUMATIC ACTUATOR

- High performance Rack & Pinion design
- Aesthetically compact and modern design
- 17 different model sizes from P32 to P350
- Standard working temperature -20 to +80 °C
- Adjustable closing angle -5 °C to +5 °C
- ISO 5211 and NAMUR mounting standards
- Recommended Air supply 6 bar, lubrication not req

PNEUMATIC ACTUATOR MATERIAL

Body : Anodized aluminum ASTM6063, UNI4522

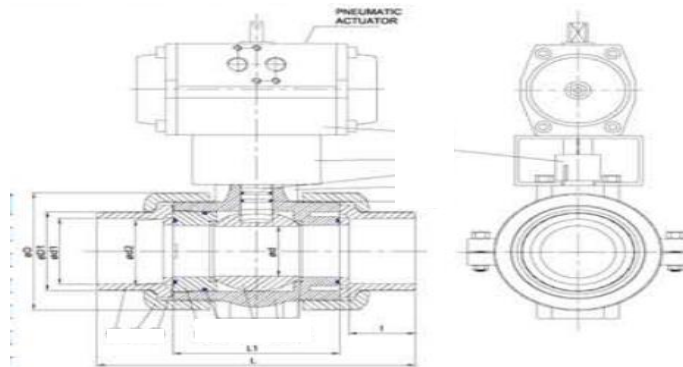
End Caps : Die-cast aluminum, epoxy coated

Pistons : Die-cast aluminum UNI 5076

Pinion : Carbon steel, options for stainless steel

Bearing Pad : Technopolymer

Seals : NBR, options for Viton or Silicon



| Valve Size | Inch DN | 1/2 15 | 3/4 20 | 1 25 | 1-1/4 32 | 1-1/2 40 | 2 50 | 2-1/2 65 | 3 80 | 4 100 |
|------------------------|---------|--------|--------|------|----------|----------|--------|----------|------|---------|
| Single Acting Actuator | Art No. | AT-50S | | | | AT-63S | AT-75S | AT-88S | | AT-100S |
| | D | 47 | 55 | 66 | 82 | 98 | 120 | 140 | 163 | 225 |
| | D1 | 31 | 37 | 45 | 54 | 65 | 79 | 92 | 108 | 146 |
| | d | 13 | 18 | 23 | 30 | 38 | 48 | 61 | 69 | 99 |
| | L | 114 | 135 | 149 | 168 | 175 | 208 | 273 | 304 | 332 |



GPRO Valve Sdn Bhd
7,Lot 752 Jalan Subang 3,Taman Perindustrian
SG,Penaga 47610 Subang Jaya,Selangor, MALAYSIA

Tel: +6 03 8023 6900
Fax: +6 03 8023 7800
Email: info@gprovalve.com.my