



## Series GPVC-BF000 - / GPRO UPVC Wafer Butterfly Valve With Double Acting Actuator



- Size : 2" ~ 8"
- Joint End : Flange (ANSI / DIN / JIS / CNS)
- Working Pressure : 150PSI

### PNEUMATIC ACTUATOR :

- High performance Rack & Pinion design
- Aesthetically compact and modern design
- 17 different model sizes from P32 to P35
- Standard working temperature -20 to +8
- Adjustable closing angle -5°C to +5°C
- ISO 5211 and NAMUR mounting standard
- Recommended Air supply 6 bar, lubricated

### PNEUMATIC ACTUATOR MATERIAL :

Body : Anodized aluminum ASTM6063, UN

End Cup : Die-cast aluminum, epoxy coated

Pistons : Carbon steel, options for stainless

Bearing Pad : Technopolymer

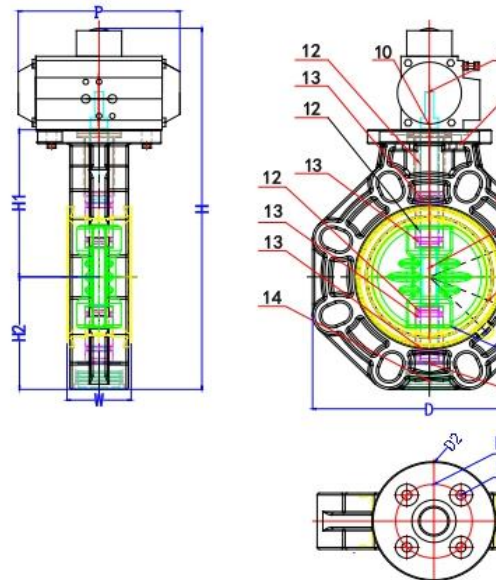
Seals : NBR, options for Viton or Silicon

### APPLICATION :

- Suitable for Hot / Cold Water, Oil, Gas & Air

### MATERIAL LIST

NO	PART NAME	MATERIAL
1	Body	UPVC / CPVC
2	Valve Plate	UPVC / CPVC / PP
3	Sealing Washer	EPDM/VITON
4	Pneumatic Actuator	ALLOY
5	Bolt	SUS304
7	Screw	SUS304
10	Shaft	SUS304/316
12	Axle Sleeve	PP
13	O-Ring	EPDM/VITON
14	Bottom	PP



Nom.	Size	2"	2-1/2"	3"	4"	5"	6"	8"
		50	65	80	100	125	150	200
d	d	50	65	80	102	126	148	195
	C1	139	139	150	175	210	239	290
	C2	145	145	160	191	216	242	298
	H	298	298	341	364	425	453	547
	H1	110	110	126	138	154	168	205
	H2	81	81	96	107	118	132	167
	W	48	48	50	53	66	72	72
	D	156	156	190	211	238	263	335
	D2	112	112	112	112	112	136	136
	M	70	70	70	70	70	102	102
	N	9	9	9	9	9	11	11
P	100	168	184	184	268	268	301	
n-φ e	JIS	4-19	4-19	8-19	8-19	8-23	8-23	12-23
	DIN/ANSI							8-23
Operati		18	18	20	30	33	48	80





# AT00 D

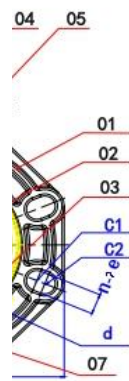
re

3)

n  
0  
0°C

ds  
on not required

114522  
d  
s steel



M

N



