



Series GPVC-BF000 - GBF2G

GPVC UPVC Wafer Type Butterfly Valve With Gear Box



- Size : 2-1/2" ~ 8"
- Joint End : Flange (ANSI / DIN / JIS / CNS)
- Working Pressure : 150PSI

Design Standard : BS EN593 /API 609

Face to Face : BS EN558-1 / API 609

Flange Connection :

: EN1092-1 PN10/16 JIS B2210M10K

: DIN 2501 PN10/16 ANSI B16 125/150

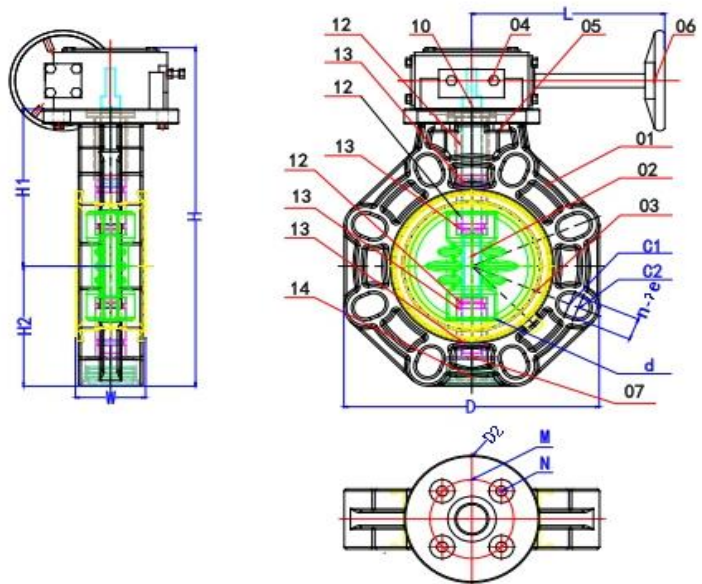
Test Standard : BS EN 12266-1 / API 598

APPLICATION :

- Suitable for Hot / Cold Water, Oil, Gas & Air

BUTTERFLY VALVE MATERIAL LIST

NO	PART NAME	MATERIAL
1	Body	UPVC / CPVC
2	Valve Plate	UPVC / CPVC / PP
3	Sealing Washer	EPDM/VITON
4	Gear Box	CAST IRON
5	Bolt	SUS304
6	Handwheel	BLACK PAINTED STEEL
7	Screw	SUS304
10	Shaft	SUS304/316
12	Axle Sleeve	PP
13	O-Ring	EPDM/VITON
14	Bottom	PP



Nom.	Size	2-1/2"	3"	4"	5"	6"	8"
		65	80	100	125	150	200
	d	65	80	102	126	148	195
	C1	139	150	175	210	239	290
	C2	145	160	191	216	242	298
	H	210	242	305	333	372	443
	H1	120	136	148	164	180	205
	H2	81	96	107	118	132	167
	W	48	50	53	66	72	72
	D	156	190	211	238	263	335
	D2	130.8	130.8	130.8	130.8	155	136
	M	70	70	70	70	102	102
	N	9	9	9	9	11	11
n-φ e	JIS	4-19	8-19	8-19	8-23	8-23	12-23
	DIN/ANSI						8-23
Operating Torque (N.M)		18	20	30	33	48	80



7, Lot 752 Jalan Subang 3, Taman Perindustrian
SG, Penaga 47610 Subang Jaya, Selangor, MALAYSIA

Email: info@gprovalve.com.my