



## Series GPVC-BF000 - AT00 S

### GPVC UPVC Wafer Butterfly Valve With Single Acting Actuator



- Size : 2-1/2" ~ 8"
- Joint End : Flange (ANSI / DIN / JIS / CNS)
- Working Pressure : 150PSI

#### PNEUMATIC ACTUATOR :

- High performance Rak & Pinion design
- Aesthetically compact and modern design
- 11 different model sizes from AT40S to AT210S
- Standard working temperature -20 to +80°C
- Adjustable closing angle -5°C to +5°C
- ISO 5211 and NAMUR mounting standards
- Recommended Air supply 6 bar, iubrication not required

#### PNEUMATIC ACTUATOR MATERIAL :

Body : Anodiaed aluminum ATM6063, UNI4522

End Cap : Die-cast aluminum, epoxy coated

Pistons : Die-cast aluminum UNI5076

Pinion : Carbon steel, options for stainless steel

Bearing Pad : Technopolymer

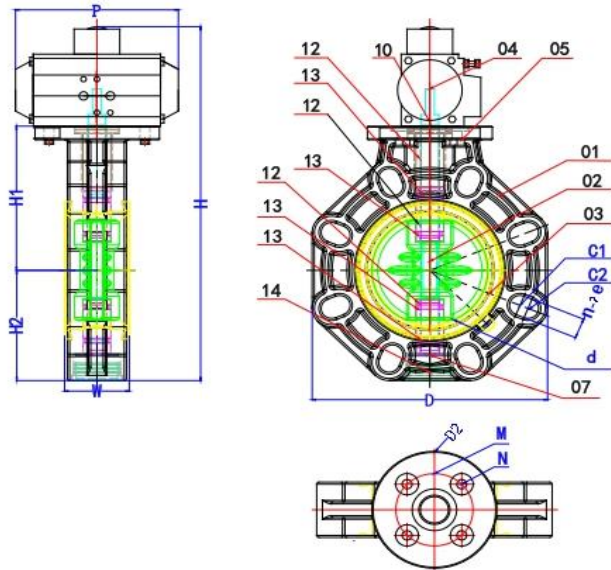
Seals : NBR, options for Viton or Silicon

#### APPLICATION :

- Suitable for Hot / Cold Water, Oil, Gas & Air

#### MATERIAL LIST

NO	PART NAME	MATERIAL
1	Body	UPVC / CPVC
2	Valve Plate	UPVC / CPVC / PP
3	Sealing Washer	EPDM/VITON
4	Pneumatic Actuator	ALLOY
5	Bolt	SUS304
7	Screw	SUS304
10	Shaft	SUS304/316
12	Axle Sleeve	PP
13	O-Ring	EPDM/VITON
14	Bottom	PP



Nom.	Size	2-1/2"	3"	4"	5"	6"	8"
		65	80	100	125	150	200
	d	65	80	102	126	148	195
	C1	139	150	175	210	239	290
	C2	145	160	191	216	242	298
	H	298	341	364	425	453	547
	H1	110	126	138	154	168	205
	H2	81	96	107	118	132	167
	W	48	50	53	66	72	72
	D	156	190	211	238	263	335
	D2	112	112	112	112	136	136
	M	70	70	70	70	102	102
	N	9	9	9	9	11	11
P	168	184	184	268	268	301	
n-φ e	JIS	4-19	8-19	8-19	8-23	8-23	12-23
	DIN/ANSI						8-23
Operating Torque (N.M)		18	20	30	33	48	80

