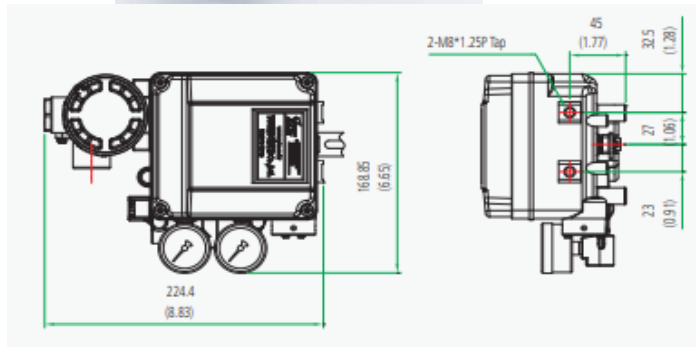




Series YT1000RDN51100 & YT1000RDN51101

Electro-Pneumatic Positioners



Item Type	YT1000	
Input Signal	4 - 20mA DC	
Impedance	250 ± 15 Ω	
Supply Pressure	0.14-0.7MPa (1.4 - 7 bar)	
Stroke	Linear Type	10 - 150mm
	Rotary Type	0 - 90°
Air Connection	NPT 1/4	
Gauge Connection	NPT 1/8	
Conduit	G 1/2 (PF 1/2)	
	ATEX (II 2 G)Ex dmb IIB T5	
	IECEX (II2 G) Eex mb IIB T5	
	KCS Ex dmb IIB T5	
Ingress Protection	IP66	
Operating Temp.	Operating	-20 - 70 °C (-4 - 158 °F)
	explosion	-20 - 60 °C(-4 - 140 °F)
Linearity	Single	± 1% F.S.
	Double	± 2% F.S.
Hysteresis	± 1% F.S.	
Sensitivity	Single	± 0.2% F.S.
	Double	± 0.5% F.S.
Repeatability	± 0.5% F.S.	
Air Consumption	2.5 LPM (sup = 0.14 MPa)	
Flow Capacity	80 LPM (sup = 0.14 MPa)	
Material	Stainless Steel 316	
Weight	YT-1000L: 2.7 kg (6.1 lb)	
	YT-1000R: 2.8 kg (6.2 lb)	
	YT-1050: 5.71 kg (12.6 lb)	

Design features

- **Simple zero and span adjustment.**
Internal hand dials and locking screws for adjustments.
- **Reverse & Direct Acting Settings.**
Full and 1/2 split range setting by simple adjustment.
- **High vibration resistant.**
No resonance between 5 - 200 Hz.
- **Internal feedback option.**
Available on weatherproof model only.
- **Auto / Manual switch.**
Internal adjustment with lock screw safety.

Product Code

YT-1000 - R - S - N - 1 - 1 - 4 - S - 0 - (0)

Model

YT-1000 = Aluminum
YT-1050 = STS316

Motion Type

L = Linear
R = Rotary

Acting Type

S = Single
D = Double

Explosion Protection

N = Non-Explosion
M = ATEX, IECEx, TS, KCs
A = CSA, FM (YT-1000 only)
C = Ex d KCs, NEPSI (YT-1000 only)
I = Exia KCs (YT-1000 only)
X = TIS (YT-1000 only)

Lever Type

Linear	Rotary
1 = 10-40 mm	1 = M6 X 34L
2 = 30-70 mm	2 = M6 X 63L
3 = 60-100 mm	3 = M8 X 34L
4 = 100-150 mm	4 = M8 X 63L
	5 = NAMUR

Orifice Type

1 = Ø1
2 = Ø2
3 = None

Conduit & Air Connection

YT-1000	YT-1050
1 = G1/2 - PT1/4	2 = G1/2 - NPT1/4
2 = G1/2 - NPT1/4	
3 = G1/2 - G1/4	
4 = M20 - NPT1/4	
5 = NPT1/2 - NPT1/4	

Operating Temp.

S = -20 To 60 °C
L = -20 To 120 °C
H = -40 To 60 °C

Option 1

YT-1000L	YT-1000R
0 = None	0 = None (St'd)
2 = 4 - 20 mA feedback (Smart Type)	1 = Dome Cover
3 = 4 - 20 mA feedback with LCD (Smart Type)	

Option 2 (YT-1000R only)

0 = None
1 = 4 - 20 mA feedback (Internal - only for non-explosion area protection)
2 = 4 - 20 mA feedback (External)
3 = Limit Switch (Internal - only for non-explosion area protection)
4 = Limit Switch (External)
5 = 4 - 20 mA feedback + Limit Switch (Internal - only for non-explosion area protection)
6 = SPTM + Limit Switch (External)



GPRO Valve Sdn Bhd
7, Lot 752 Jalan Subang 3, Taman Perindustrian
SG, Penaga 47610 Subang Jaya, Selangor, MALAYSIA

Tel: +6 03 8023 6900
Email: info@gprovalve.com.my