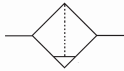




Symbol



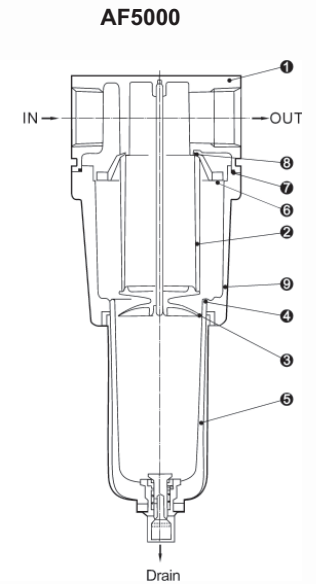
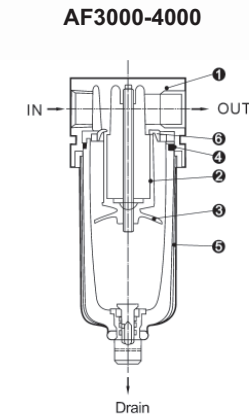
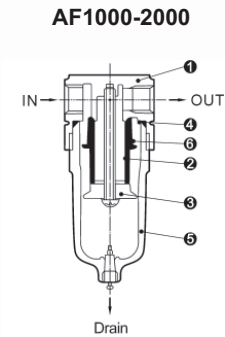
Specifications

Fluid	Air
Proof pressure	1.5MPa (15kgf/cm ²)
Max. operating pressure	1.0MPa (10kgf/cm ²)
Ambient and fluid temperature	5~60°C
Nominal filtration rating	5 μm 25 μm 50 μm
Bowl material	PC K1300
Bowl guard	AF1000~2000 (Not Available) AF3000~5000 (Available)

Model	Specifications				Accessories	Drain function	Model of AF series with auto drain
	*Rated flow (L/min)	**Port size (G)	Oil capacity (CM ³)	Weight (kg)	Bracket		
AF1000-M5	110	M5	4	0.07	-	Manual drain	
AF2000-01	750	1/8	15	0.19	B240		
AF2000-02		1/4					
AF3000-02	1500	1/4	20	0.29	B340	a.Air shutoff drain b.Manual drain	AF4000-03D
AF3000-03		3/8					
AF4000-03	4000	3/8	45	0.55	B440		AF4000-04D
AF4000-04		1/2					
AF4000-06	6000	3/4	45	0.58	B540		AF4000-06D
AF5000-06	7000	3/4	130	1.08	B640		AF5000-06D
AF5000-10		1					AF5000-10D

*Under the circumstance that the inlet pressure is 0.7MPa (7.1kgf/cm²) and the set pressure is 0.5MPa(5.1kgf/cm²)
 ** Rc and NPT port sizes are available.

Construction



Component parts

NO.	Description	Material
1	Body	Aluminum die-cast
2	Filter element	Brass
3	Baffle	POM
4	Bowl O-ring	NBR
5	Bowl assembly(bowl guard)	Polycarbonate(Cold rolled steel)
6	Whirlwind blade	POM
7	O-ring	NBR
8	Sealing washer	NBR
9	Housing	Aluminum die-cast