

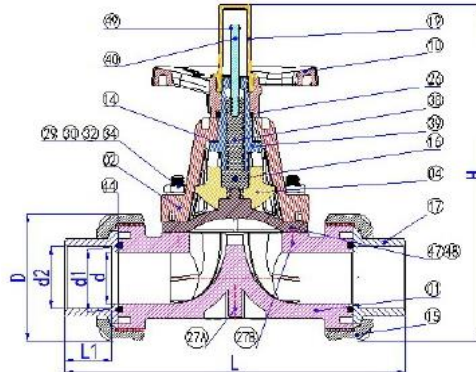


Series GPVC-DV000

GPVC Diaphragm Valve (UPVC/CPVC/PPH) (To Be Developed)



- Size : 1/2" ~ 4"
- Joint End : Socket (ANSI / DIN / JIS / CNS)
Threaded (PT/NPT/BSPF)
- Working Pressure : 150PSI



MATERIAL LIST

NO.	PART NAME	MATERIAL	NO.	PART NAME	MATERIAL
1	Blow Body	UPVC/CPVC/PPH	29	Stud	SUS304
2	Up Body	UPVC/CPVC/PPH	30	Hexagon Bolt	SUS304
4	Briquetting	ABS	32	Gasket	SUS304
10	Hand Wheel	ABS	34	Outer Hexagon Bolt	SUS304
14	Backing Ring	PTFE	38	Drive Screw	H59
15	Nut	UPVC/CPVC/PPH	39	Screw Bushing	UPVC/CPVC/PPH
16	Spring Cylindrical Pin	65Mn	40	Indicating Arm	ABS
17	Socket	UPVC/CPVC/PPH	44	O-Ring	EPDM/VITON
19	Gauge Cover	PVC	47	Diaphragm Liners	EPDM/VITON
26	Snap Ring	PP	48	Diaphragm Leaf	EPDM/VITON/PTF
27A	Copper Inserts-A	Cu	49	Indicating Arm O-Ring	EPDM
27B	Copper Inserts-B	Cu			

Size	d	d1				d2				D	L	L1
		ANSI	DIN	JIS	CNS	ANSI	DIN	JIS	CNS			
1/2" (15)	15	21.40	20.25	22.30	22.40	21.25	20.05	21.85	21.90	142.60	22.30	154.50
3/4" (20)	20	26.75	25.25	26.30	26.40	26.58	25.05	25.85	25.90	160.00	26.00	163.50
1" (25)	25	33.52	32.25	32.33	34.50	33.28	32.05	31.85	33.90	186.00	29.00	178.20
1-1/4" (32)	32	42.28	40.25	38.43	42.50	42.05	40.05	37.85	41.90	247.00	32.50	254.00
1-1/2" (40)	40	48.40	50.25	48.46	48.60	48.12	50.05	47.75	47.90	253.00	35.50	261.00
2" (50)	50	60.45	63.25	60.56	60.60	60.18	63.05	59.75	59.90	288.00	38.50	294.003
2-1/2" (65)	63	73.3	75.25	76.60	76.70	72.85	75.05	75.87	75.90	394.00	64.50	371.00
3" (80)	75	89.25	90.35	89.60	89.70	88.70	90.05	88.83	88.90	447.00	70.00	400.00
4" (100)	90	114.6	110.35	114.70	115.00	114.10	110.05	113.98	113.80	540.00	84.00	440.00

