



Series - GSV1-00L

GPRO Safety Valve - With Lever



Safety Valve Application :

The safety valves are used in steam system, boiler, oil system water system, air system, and so on.

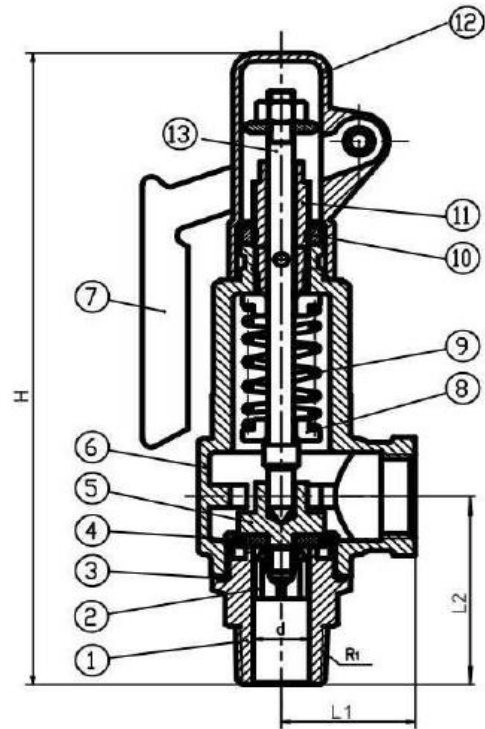
Operating Principle :

After installing in the piping system, the safety valve will work automatically when the pressure of medium in the system is reaching to the set value. It releases pressure to protect the system.

1. Max Working Pressure : 4.0MPa
2. For Medium Water, Steam, Gas (non-corrosive)
3. Working Temperature : 220°C

MATERIAL LIST

NO.	PART NAME	MATERIAL
1	Valve Seat	CW617N
2	Butter	CW617N
3	Gasket Ring	PTFE
4	Gasket	/
5	Disc	CW617N
6	Valve Body	BRONZE
7	Lever	SS304
8	Spring Seat	CW617N
9	Spring	SS304
10	Nut	CW617N
11	Adjust Screw	CW617N
12	Cap	CW617N
13	Spindle	CW617N



Dimension				Unit : mm		
Inlet	D	Outlet	Lift	L1	L2	H
1/2"	13	1/2"	0.52	31	48	159.5
3/4"	19	3/4"	0.76	35	55	169
1"	25	1"	1	39.5	65	199.5
1-1/4"	31.5	1-1/4"	1.28	50.5	75	216.5
1-1/2"	37	1-1/2"	1.52	59	86	243
2"	47	2"	2	67	100	283

