



### Series GYS6-P16-XXX

## DUCTILE IRON BODY Y-STRAINER FLANGE PN16 C/W STAINLESS STEEL STRAINER



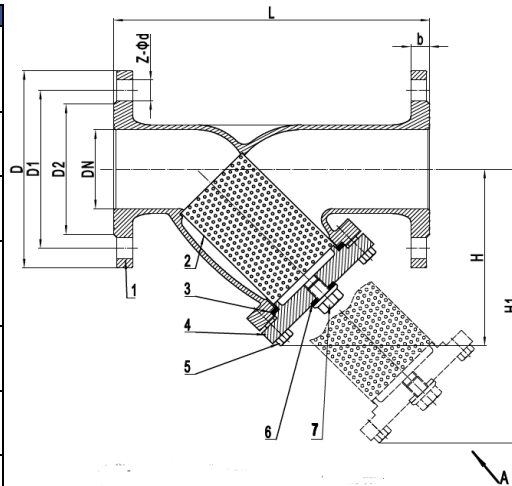
#### GENERAL

MAXIMUM WORKING PRESSURE :16 BAR  
MAXIMUM WORKING TEMPERATURE :≤200°C

#### STANDARDS:

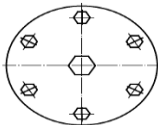
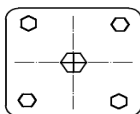
PRESSURE TEST ACCORDING TO STANDARDS : EN 12266-1, DIN 3230, BS 5154 AND ISO 5208.  
BODY :24 BAR  
FACE TO FACE ACCORDING TO STANDARDS : EN 558-1 SERIE 1 AND DIN 3202/1 SERIE F1.  
FLANGES DRILLED ACCORDING TO :EN 1092-2 PM16

POS	DESCRIPTION	MATERIAL
1	BODY	DN15-DN100 CAST IRON/GG25(F3240N) DN125-DN600 DUCTILE IRON/GGG50 (F4240A)
2	SCREEN	STAINLESS STEEL/SS304/SS316
3	GASKET	STAINLESS STEEL GRAPHIT SPIRAL-WOUND
4	COVER	DN15-DN100 CAST IRON/GG25(F3240N) DN125-DN600 DUCTILE IRON/GGG50 (F4240A)
5	SCREW	STAINLESS STEEL/SS304/A2-70
6	GASKET	STAINLESS STEEL GRAPHIT SPIRAL-WOUND
7	DRAIN PLUG	STAINLESS STEEL/SS304/A2-70 G1/2(DN15-DN100) G3/4(DN125-600)



DN15-DN100

DN125-DN400



PN	DN	L	D	D1	D2	b	Z-φd	H	H1	MESH
16	15	130	95	65	46	14	4-14	68	105	1MM
	20	150	105	75	56	16	4-14	78	118	
	25	160	115	85	65	16	4-14	85	130	
	32	180	140	100	76	18	4-18	104	154	
	40	200	150	110	84	19	4-18	106	169	
	50	230	165	125	99	19	4-18	124	199	
	65	290	185	145	118	19	4-18	147	237	1.3MM
	80	310	200	160	132	19	4-18	161	260	
	100	350	220	180	156	19	4-18	193	321	
	125	400	250	210	184	19	4-18	257	410	
	150	480	285	240	211	19	8-23	291	466	1.6MM
	200	600	340	295	266	20	12-23	357	570	
	250	730	405	355	319	22	12-28	443	666	
	300	850	460	410	370	24	12-28	516	786	
	350	980	520	470	429	26	16-28	565	915	
	400	1100	580	525	480	28	16-31	635	1041	
450	1200	640	585	548	30	20-31	910	1365		
500	1250	715	650	609	31	20-34	950	1425		
600	1450	840	770	720	36	20-37	1100	1650		



GPRO Valve Sdn Bhd  
7, Lot 752 Jalan Subang 3, Taman perindustrian  
Sg.Penaga 47610 Subang Jaya, Selangor, Malaysia.

Tel: +6 03 8023 6900  
Whatsapp: +6 017 717 6900  
Email: info@gprovalve.com.my  
Website: www.gprovalve.com.my