



## Wafer Check Valve

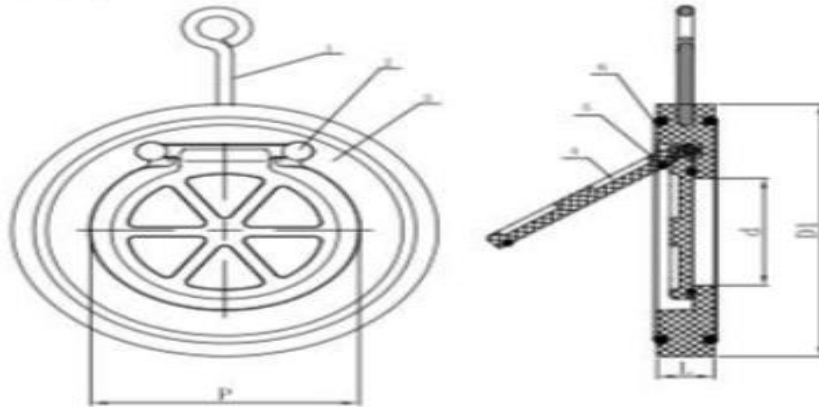


### Features:

- Short face-to-face length and easy installation.
- High corrosion resistance, Lightweight and cost-effective.
- UPVC, CPVC wafer check valve fully open angle is about 40°
- Due to the small inner diameter of PPH flanges, to obtain a larger opening angle, it is necessary to chamfer the flange or add a connection plate between the flange and the valve.

### PARTS & MATERIAL

NO.	PARTS	MATERIALS
1	Rings	Stainless Steel
2	Screw	UPVC, CPVC, PPH, PVDF
3	Body	UPVC, CPVC, PPH, PVDF
4	Disc	UPVC, CPVC, PPH, PVDF
5	Inner O-ring	EPDM, FPM
6	Outside O-ring	EPDM, FPM



### DIMENSIONS TABLE (MM)

DN	d	D1	P	L	Working Pressure (Mpa)	Minimum Back Pressure (Mpa)
DN40	23	82	36	18	1.0	0.05
DN50	27	108	44	21	1.0	0.05
DN65	40	127	58	22	1.0	0.05
DN80	54	142	70	23	1.0	0.05
DN100	70	165	89	25	1.0	0.05
DN125	92	192	115	28	1.0	0.05
DN150	112	217	131	30	1.0	0.05
DN200	150	270	179	34	0.6	0.05
DN250	190	328	230	39	0.6	0.05
DN300	216	378	260	44	0.6	0.05



GPRO Valve Sdn Bhd  
7, Lot 752 Jalan Subang 3, Taman Perindustrian  
Sg. Penaga 47610 Subang Jaya, Selangor, Malaysia.

Tel: +6 03 8023 6900  
Whatsapp: +6 017 717 6900  
Email: info@gprovalve.com.my  
Website: www.gprovalve.com.my