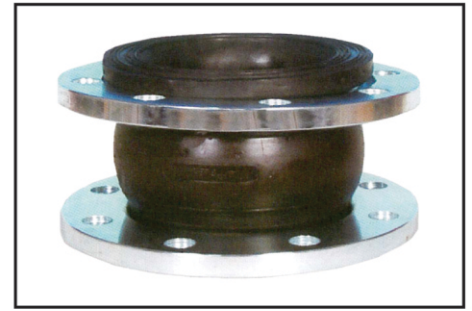


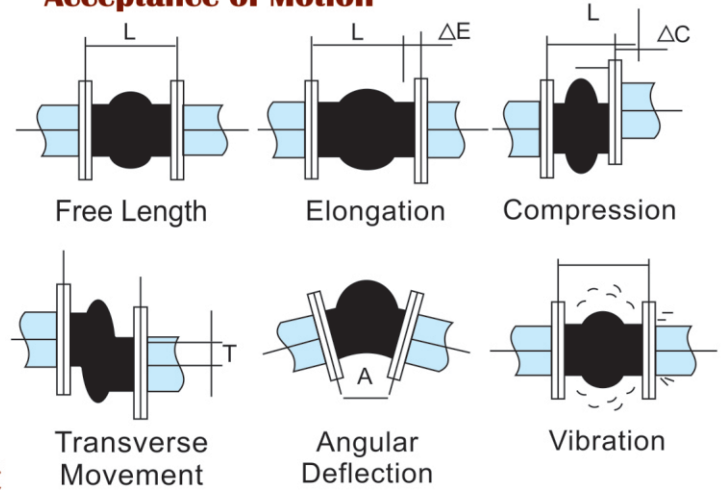
SINGLE SPHERE JOINTS RUBBER FLEXIBLE JOINTS



PIPE SIZE	50 PSI	100 PSI	150 PSI	200 PSI	225 PSI	300 PSI
1.0" (25mm)					X	X
1.25" (32mm)					X	X
1.5" (40mm)					X	X
2" (50mm)					X	X
2.5" (65mm)					X	X
3" (80mm)					X	X
4" (100mm)					X	X
5" (125mm)					X	X
6" (150mm)				X	X	X
8" (200mm)				X	X	X
10" (250mm)				X	X	X
12" (300mm)			X	X	X	X
14" (350mm)			X	X	X	X
16" (400mm)		X	X	X	X	X
18" (450mm)		X	X	X	X	X
20" (500mm)		X	X	X	X	X
24" (600mm)		X	X	X	X	X

* Note : X use control tie rods

Acceptance of Motion



Dimension and Allowance Tolerance / Movement

Nominal Bare (Inner Dia.) Size	Length of Bellows (mm)		Transverse Movement +/- (mm)	Axial Elongation (mm)	Axial Compression (mm)	Angular Deflection
	Face to Face Distance (MM)	Total Acceptable Tolerance +/- (mm)				
1.25" (32mm)	95	3	5	5	10	15°
1.5" (40mm)	95	3	5	5	10	15°
2" (50mm)	115	3	10	10	10	15°
2.5" (65mm)	125	3	10	10	10	15°
3" (80mm)	150	3	10	10	15	15°
4" (100mm)	150	3	10	10	15	15°
5" (125mm)	150	3	10	10	15	15°
6" (150mm)	150	3	10	10	20	15°
8" (200mm)	150	3	10	10	20	15°
10" (250mm)	200	3	20	15	20	15°
12" (300mm)	205	3	20	15	20	15°
14" (350mm)	205	3	20	15	20	15°
16" (400mm)	210	3	20	15	25	15°
18" (450mm)	210	3	20	15	25	15°
20" (500mm)	205	3	20	15	25	15°
24" (600mm)	255	3	25	20	25	15°

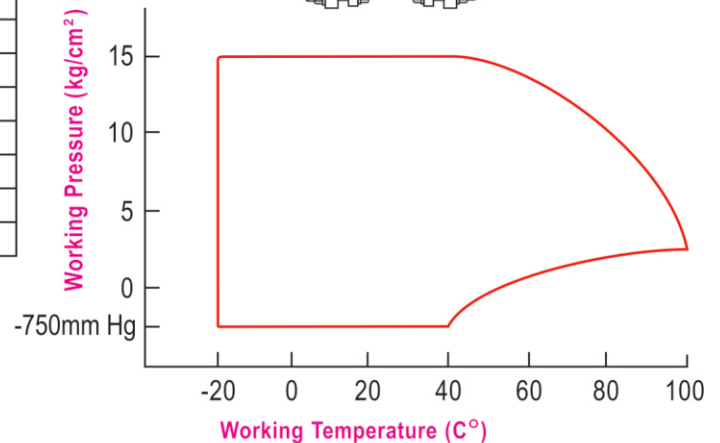
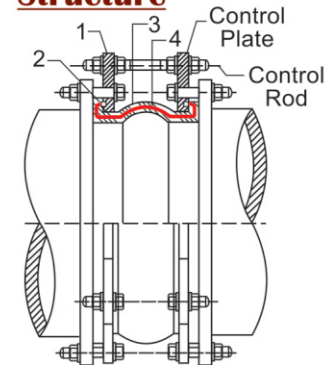
* Although the dimensional allowance for installation is as given in the table above, when installing this connector for suction purposes do not allow for its elongation.

Item	Part	Material
1	Flange	* Mild Steel
2	Wire	Hard Steel Wire
3	Body	** Heat Resisting Rubber
4	Body	Nylon

* Flange material can be changed to Ductile Iron (BS 2789) Grade 500-7 Epoxy Coating.

** Standard rubber material uses Neoprene, may be replaced by other special synthetic rubber.

Structure



Operating Conditions

(Based on Neoprene Rubber Material)

	32mm - 300mm	350mm - 600mm
Operating Pressure	16kg / cm ² (228psi)	8kg / cm ² (114psi)
Burst Pressure	Over 50kg / cm ² (711psi)	Over 30kg / cm ² (427psi)
Negative Pressure	750mm Hg	
Working Temperature	-20° C to 100° C (-4° F to 212° F)	
Working Fluids	Water, Hot Water, Sea Water, Compressed Air, Steam, Solvent, Acid & Weak Alkalies.	