



DPM 80B



DPM 100B



REMOVABLE WOLTMAN WATER METER

GPRO Valve Sdn Bhd
7, Lot 752 Jalan Subang 3, Tmn. Perindustrian Sg. Penaga,
47610 Subang Jaya, Selangor, Malaysia.
Tel: +6 03 8023 6900 Whatsapp: +6 017 717 6900
Website: www.gprovalve.com.my
Email: info@gprovalve.com.my



Delta Perdana

THE FOREMOST NAME IN HIGH QUALITY WATER METER



REMOVABLE WOLTMAN WATER METER / DPM 50B - 200B

DPM 100B



Application

- Measuring the volume of cold potable water passing through the pipeline.

Working Conditions

- Water temperature : $\leq 50^{\circ}\text{C}$ for cold potable water meter.
- Water pressure ≤ 10 bar

Working Principle

- The working principle is based on a helical blade which rotates about the axis of flow in the meter.
- The movement of the blade is transmitted mechanically to the indicating device which totals the volume flow.

Items Included

- With every water meter, there will be two pieces of the flange gaskets.

DPM 80B



Features

- Removable element for facilitating installation and maintenance.
- Vacuum sealed register to ensure long term clear reading.
- Inter-exchangeable parts.
- Magnetic transmission with lower driving resistance.
- Low pressure loss.
- Long working life.

Compliance With Standards

- Technical data conforms to class B of the ISO 4064 standards.

Data Output Options

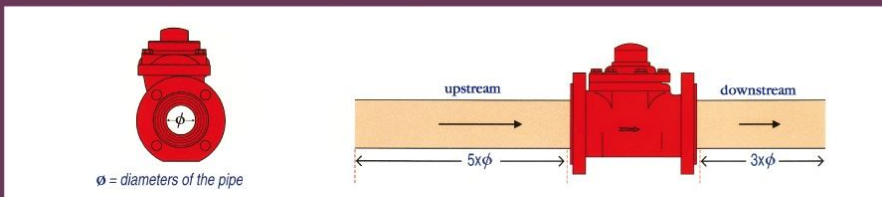
- This meter can be converted into data output type for remote reading system by changing the register, middle cover and installing the reed switch pulser into the register.

Technical Information

Pulser wiring	3 core cable, (output 1-red, output 2-green, output 3-black), Length 1~1.2m
Signal option	1 pulse for 1m ³ or 10 pulse for 1m ³
Power	External

Installation

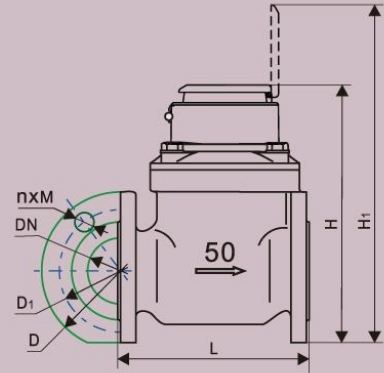
- The meter can only be installed in HORIZONTAL position:



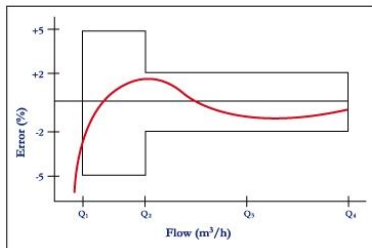
- The meter must be installed with the direction of the flow as indicated by the arrow cast on the meter body.
- The meter is recommended to be install with 5xϕ upstream and 3xϕ downstream as per illustration.
- The register is recommended to face upward.

Dimensions And Weights

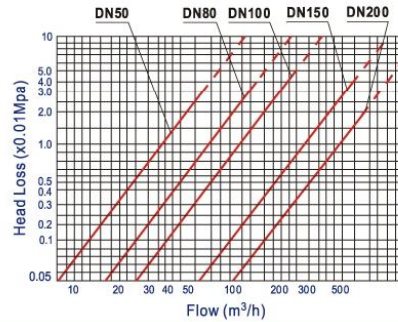
Nominal diameter	DN		50	80	100	150	200
Length	mm	L	200	225	250	300	350
Width	mm	B	175	200	220	285	345
Height	mm	H	252	272	282	341	368
Working Height	mm	H ₁	339	359	369	428	455
Flange diameter	mm	D	165	200	220	285	340
Bolt Circle diameter	mm	D ₁	125	160	180	240	295
Bolt quantity & size		nxM	4XM16	8XM16	8XM20		
Meter weight	kg		12	16	18	42	64



Accuracy Curve



Head Loss Curve



Technical Specifications

Nominal diameter	DN		50	80	100	150	200
Maximum flow rate	m ³ /h	Q ₄	50	78.75	125	312.5	500
Nominal flow rate	m ³ /h	Q ₃	40	63	100	250	400
Transition flow rate	m ³ /h	Q ₂	0.8	1.26	2	5	8
Minimum flow rate	m ³ /h	Q ₁	0.5	0.7875	1.25	3.125	5
Starting flow rate	l/h		150	280	400	1200	1500
Maximum reading	m ³		999999.999			9999999.99	
Minimum reading	m ³		0.0005			0.005	

Maximum Permissible Error (MPE):

- MPE at flow rate Q₁ : ± 5%.
- MPE at flow rate Q₂, Q₃, Q₄ : ± 2%.

REMOVABLE WOLTMAN WATER METER / DPM 50B - 200B

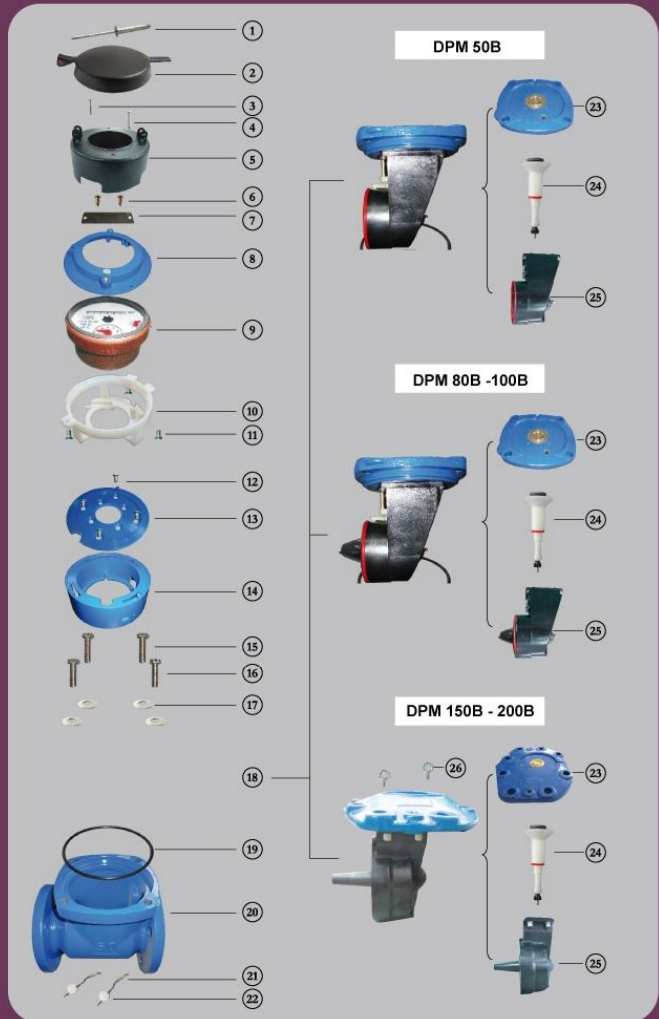
Part List of DPM 50B - 200B

NO	NAME	QTY	
		50B-100B	150B-200B
1	Rivet	1	1
2	Lid	1	1
3	Screw	1	1
4	Screw	1	1
5	Retaining Ring	1	1
6	Rivet (for selecting)	2	2
7	Label (for selecting)	1	1
8	Upper Retaining Ring	1	1
9	Register	1	1
10	Bracket	1	1
11	Screw	3	3
12	Screw	4	4
13	Immovable Plate	1	1
14	Register House	1	1
15	Screw	3	7
16	Screw	1	1
17	Gasket	4	8
18	Measuring Unit	1	1
19	O Ring	1	1
20	Body	1	1
21	Copper Wire	2	2
22	Seal Lead	2	2
23	Flange Assembly	1	1
24	Transmission Shaft Assembly	1	1
25	Rectifier Assembly	1	1
26	Screw	-	2

Register Dial
DPM 50B - 100B



Register Dial
DPM 150B - 200B



**Delta
Perdana**